



Greentank® Bottles for softening and filtration

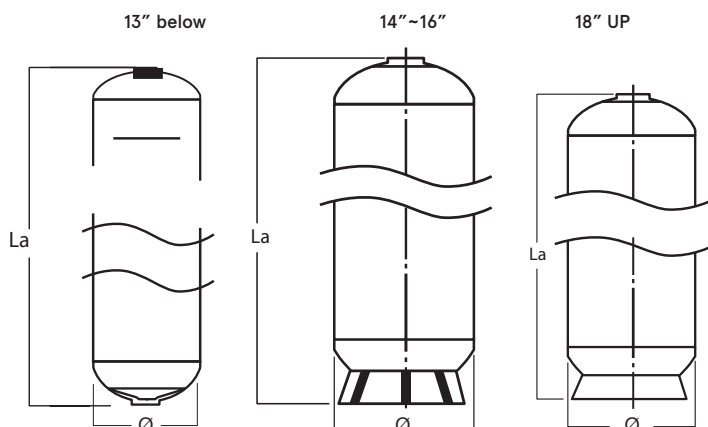
Full range of columns (more than 100 items available) for water treatment built in accordance with the most demanding quality standards and wholly made of heavy-duty plastic materials.

Ideal for water softening, filtration and ion exchange applications. Suitable for both domestic and industrial use thanks to the wide range available and the customization possibilities.

All parts in contact with water are made of food grade materials. As part of the Puricom products, over the past few years the Greentank columns have positioned themselves as a benchmark for quality and performance at international level.



Bottles for filtration and water softening



Specifications:

Max. working pressure:
10.5 bars.
Working temperature: 1-50 °C
Max. vacuum: 140 mmHg.
Min. exposure temperature: -30 °C.

Fulfilled tests:

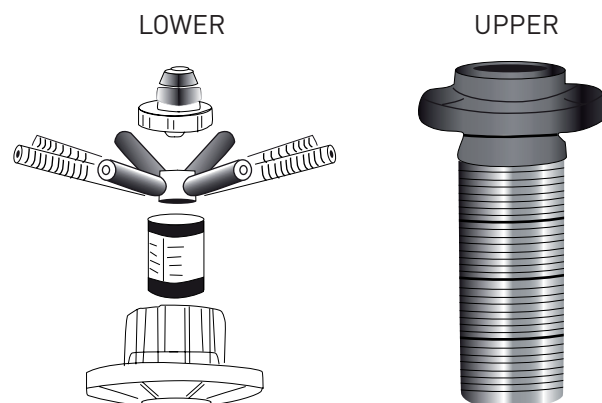
Cycle test: 250,000 cycles from 0 to 10.5 bars.
Burst test: 4 times the operating pressure (42 bars).

Code	Model	Volume l	Color	Weight kg	Opening		La	Diameter ø
					Upper	Lower		
321005	07 x 19	9,72	Grey	2,12	2,5"	-	488	190
320800	07 x 35	19,10	Grey	2,95	2,5"	-	896	190
320900	08 x 17	10,50	Grey	2,30	2,5"	-	437	215
321013	08 x 30	21	Grey	3,65	2,5"	-	770	215
321000	08 x 35	23,60	Grey	4,05	2,5"	-	897	215
321100	08 x 44	31,30	Grey	4,45	2,5"	-	1122	215
321200	10 x 35	38,30	Grey	4,93	2,5"	-	893	268
321300	10 x 54	61	Grey	7,69	2,5"	-	1381	268
321400	12 x 48	78,54	Grey	8,05	2,5"	-	1232	315
321500	12 x 52	84,70	Grey	8,63	2,5"	-	1338	315
321600	13 x 44	84,80	Grey	8,28	2,5"	-	1145	349
321700	13 x 54	105,70	Grey	10,60	2,5"	-	1398	349
321800	14 x 65	148	Grey	14,80	2,5"	-	1674	366
321805	14 x 65	148	Grey	14,80	4"	-	1674	366
321900	16 x 65	188,60	Grey	19,47	4"	-	1706	411
322000	18 x 65	257	Grey	28,10	4"	-	1722	491
322201	21 x 62	330	Grey	32,80	4"	-	1721	555
322801	24 x 72	494	Grey	44,10	4"	-	1918	622
340048	30 x 72	700	Blue	60	4"	-	1895	781
340037	30 x 72	720	Blue	60	4"	4"	2140	781
323401	36 x 72	1023	Grey	85	6" Flange	N/A	1920	932
324703	36 x 72	1023	Blue	87	6" Flange	6" Flange	2210	932
324704	42 x 72	1530	Blue	-	6" Flange	6" Flange	2395	1090
324701	48 x 72	1950	Blue	-	6" Flange	6" Flange	2400	1235
340039	63 x 67	2600	Blue	300	-	-	2050	1635
340040	63 x 86	3310	Blue	365	-	-	2475	1635

Grey color vessels from 07x19 to 24x72. The rest in blue color.

! Ask for the available models in stock.

Distributors for battery-operated equipment



Code	Packaging units	Description	Bottle diameter	Clamp size	Tube connection	Nozzle pitch
338113	1	Clamp kit for lower nozzle 18-20"	18-20"	4"	Ø 63	0,2-0,25 mm.
338115	1	Clamp kit for lower nozzle 24"	24"	4"	Ø 63	0,2-0,25 mm.
338118	1	Clamp kit for lower nozzle 30"	30"	4"	Ø 63	0,2-0,25 mm.
338121	1	Clamp kit for lower nozzle 36"	36"	6"	RH 3"	0,2-0,25 mm.
338122	1	Clamp kit for lower nozzle 42"	42"	6"	RH 3"	0,2-0,25 mm.
338123	1	Clamp kit for lower nozzle 48"	48"	6"	RH 3"	0,2-0,25 mm.
338133	1	Clamp kit for lower nozzle 65-80"	65-80"	6"	Ø 110	0,2-0,25 mm.
338104	1	Clamp kit for upper nozzle 20-40"	20-40"	6"	Ø 63	0,5 mm.
338132	1	Clamp kit for upper nozzle 40-80"	40-80"	6"	Ø 110	0,5 mm.

Internal distributors



Code	Packaging units	Description	Valve model
576800	1	Upper nozzle 1,05"	5600 / 9000 / 9100
750449	1	Upper nozzle 1,05" - 35"	255 / 278 / 180 / 650 Denver / WaterMark
338102	1	Upper nozzle 2"	655 / 9500
576503	1	Lower nozzle 1" tubo 890 mm	255 / 180 / Denver / Watermark
576502	1	Lower nozzle 1" tubo 1520 mm	255 / 278 / 180 / 650
576504	1	Lower nozzle 1" tubo 1950 mm	278 / 180 / 650
576700	1	Lower nozzle 2" tubo 1820 mm	655 / 9500
740509	1	Upper nozzle	Magnum
740508	1	Lower nozzle	Magnum
340200	1	Reducing socket 4-2 1/2"	-
340100	1	Reducing socket 6-4 1/2"	-

Brine tanks made in HDPE with brine grid and brine well

Specially designed for industrial applications, this is a robust and appropriate equipment for intensive work.



Upper cap for salt loading.
Cap cover for the brine well.
Easy maintenance and salt loading.
Standard color: white. Other colours available under request.
Its special stackable design allows to save up to 70% of space in shipments.

Code	Packaging units	Volume litres	Height mm	Width mm	Diameter brine well mm	Height brine well mm	False bottom mm
303500	1	100 l	940	450	Ø 100	835	200
303600	1	145 l	1060	500	Ø 100	1030	200
303700	1	200 l	1160	550	Ø 100	940	200
303800	1	350 l	1275	740	Ø 135	1260	150
303900	1	500 l	1335	840	Ø 135	1320	150
303901	1	750 l	1395	960	Ø 135	1380	150
304100	1	1000 l	1460	1080	Ø 135	1430	150
304103	1	1500 l	1575	1240	Ø 135	1550	150
304101	1	2000 l	1690	1360	Ø 135	1650	150

Rectangular tanks made of food grade polyethylene



Equipped with a 4 or 6 inch lid to manipulate and sanitize the interior. Ideal for accumulating water in locations with little space. Translucent white color to see the water level.

Code	Packaging units	Volume litres	Width mm	Depth mm	Total height mm	Weight kg.
254102	1	18 l	180	440	300	1,8
254103	1	25 l	270	350	415	2,5
254104	1	50 l	300	500	420	4,5

Diaphragm valves

Hydraulically or pneumatically driven diaphragm valves.



Material of the body: Loaded polyamide.

Material of the seals: EPDM.

Working pressure: 1-8 kg/cm².

Max. pilot pressure: 8 kg/cm².

Working temperature: 4-50°C.

Control: hydraulic or mechanical.

Code	Packaging units	Type	Weight kg	Dimensions			
				Connection	Height	Length	Width
303307	1	Normally open-Limited opening	0,6	1" RM	150	160	85
				Ø40 mm.	150	165	85
303309	1	Normally open	1,2	1 1/2" RM	175	175	115
				Ø63 mm.	175	265	115
303308	1	Normally open-Limited opening	1,4	1 1/2" RM	210	175	115
				Ø63 mm.	210	265	115
303310	1	Normally open	3,8	2" 1/2" RM	240	265	160
				Ø90 mm.	320	320	200
303311	1	Normally open-Limited opening	4,0	2" 1/2" RM	280	265	160
				Ø90 mm.	350	320	200

Brass solenoid valve 220 Vac



Code	Packaging units	Description	Diameter connection
301700	1	Two ways N.O.	3/8"
301800	1	Two ways N.C.	3/8"
301900	1	Two ways N.O.	1/2"
302000	1	Two ways N.C.	1/2"
302100	1	Two ways N.O.	3/4"
302200	1	Two ways N.C.	3/4"
302300	1	Two ways N.O.	1"
302400	1	Two ways N.C.	1"
302500	1	Two ways N.O.	1 1/4"
302600	1	Two ways N.C.	1 1/4"
302700	1	Two ways N.O.	1 1/2"
302800	1	Two ways N.C.	1 1/2"

Membrane housings

Membrane housings made of PRFV. Max. working pressure: 35 kg/cm².



Code	Packaging units	Membranes units	Diameter mm	Height mm	Model	Max. Pressure Kg/cm ² PSI
313900	1	1	75	605	25 x 21	21 / 300
314734	1	1	75	629	25 x 21	69 / 1000
314100	1	1	75	1.088	25 x 40	21 / 300
314733	1	1	75	1112	25 x 40	69 / 1000
314700	1	1	115	1140	40 x 40	21 / 300
314737	1	1	115	1244	40 x 40	69 / 1000
314738	1	2	115	2156	40 x 40	21 / 300
314712	1	1	240	1494	80x40	21 / 300
314713	1	2	240	2510	80x40	21 / 300

Note: Other models and pressures, consult us.

Reverse osmosis membranes



Code	Packaging units	Brand	Model	Version
744616	1	Greenfilter	LP2521	Low/Medium pressure
744615	1	Greenfilter	LP2540	Low/Medium pressure
744614	1	Greenfilter	LP4040	Low/Medium pressure

Code	Packaging units	Brand	Model	Version
310100	1	FILMTEC	TW30-2521	Medium pressure
310900	1	FILMTEC	TW30-2540	Medium pressure
312600	1	FILMTEC	BW30-4040	High pressure
313500	1	FILMTEC	BW30400-8040	High pressure

Code	Packaging units	Brand	Model	Version
310300	1	Toray	TR70-HF-2521	Medium pressure
311100	1	Toray	TR70-HF-2540	Medium pressure
312200	1	Toray	TMG10-4040	Medium pressure

Code	Packaging units	Brand	Model	Version
310701	1	Hydranautics	ESPA 1-2540	Low pressure
310702	1	Hydranautics	ESPA 1-4040	Low pressure
311601	1	Hydranautics	ESPA 2-4040	Medium pressure
312601	1	Hydranautics	CPA5-LD 4040	High pressure
311603	1	Hydranautics	ESPA 2-8040	Medium pressure
311602	1	Hydranautics	CPA3-8040	High pressure

Horizontal multicellular pumps made of stainless Steel



Code	Packaging units	Description
598605	1	Pump multicellular AISI 304 Monophasic CHLF 2 40
598606	1	Pump multicellular AISI 304 Monophasic CHLF 2 50
598607	1	Pump multicellular AISI 304 Monophasic CHLF 4 40
598608	1	Pump multicellular AISI 304 Monophasic CHLF 4 50
598609	1	Press Control Kit

Flow and pressure curve

Code	Model	kW	hp	Q (m ³ /h)	0,5	1	1,5	2	2,5	3
598605	2 40	0,55	0,75	H	36	34,5	33	29	25	20,5
598606	2 45	0,55	0,75	(M)	45,5	43	40	36	31,5	26,5
598607	4 40	0,75	1	H	37,5	36	34	31	27	23
598608	4 50	1,1	1,5	(M)	47	45	42,5	39	34	29

Level control



Code	Packaging units	Description
316500	1	Electrical level control 5 m
316600	1	Electrical level control 10 m

Brass and stainless steel rotary pumps



Code	Packaging units	Description
306200	1	Pump 600 l/h brass
306400	1	Pump 1000 l/h brass
306600	1	Pump 400 l/h inox
306700	1	Pump 600 l/h inox
306900	1	Pump 1000 l/h inox

Motors for rotary pumps



Code	Packaging units	Description
307100	1	Motor 0.5 CV + single-phase for a pump of 400-600 L/h
307200	1	Motor 0.75 CV + single-phase for a pump of 800 L/h
307300	1	Motor 01 CV + single-phase for a pump of 1000 L/h

Adaptors for rotary vane pumps of 400-600 l/h



Code	Packaging units	Description
307700	1	Joint connector for rotary vane pump
307800	1	Bell housing for rotary vane pump

Adaptors for rotary vane pumps of 800-1000 l/h



Code	Packaging units	Description
307900	1	Joint connector for rotary vane pump
308000	1	Bell housing for rotary vane pump

Ion exchange Greenresin resins



GreenResin®

Specifications:

Exchange capacity: min 2 eq/L.

Density: 840 g/L.

Size: 0.3-1.2 mm > 1.2 mm max. 5% and < 0.3 mm max. 1%.

pH range: 0 - 14.

Code	Packaging units	Description
309300	25	Strong cationic resin for water softening
309400	25	Monosphere strong cationic resin
309800	25	Regenerable mix bed resin
309500	25	Demineralizing strong anionic resin
309601	25	Weak anionic resin
325000	25	Demineralizing strong cationic resin
309700	25	Specific for nitrates

Analysers and test kit



Test Kits

Code	Packaging units	Product	Uses
316800	1	Iron analyser	Analysis range from 3 to 500 ppm (test strips)
317100	1	Nitrates analyser	Analysis range from 10 to 150 ppm (test strips)
317000	1	Nitrates analyser	Analysis range from 10 to 500 ppm (test strips)

Reagents for electronic photometer



Code	Packaging units	Description	Uses
317700	1	Analyser	Measures total and free chlorine, pH and cyanuric acid
317800	1	DPD-1 reagent	Free chlorine determination. 250 tablets. Photometer
317900	1	DPD-3 reagent	Total chlorine determination. 250 tablets. Photometer
318000	1	pH reagent	pH determination 6.80-8.40. 250 tablets. Photometer

Swimming pool analyzers



Code	Packaging units	Description	Uses
317701	1	Multiparameter photometer	Free chlorine, total chlorine, pH, alkalinity, brome, hardness and cyanuric acid.
318703	1	Test strips	Total sodium chlorine in water.
320708	1	6 in 1 test strips	Free chlorine, pH, alkalinity, brome, hardness

Photometer and reagents to determinate chlorine, pH and cyanuric acid



Code	Packaging units	Description	Range
317201	1	Photometer of free / total chlorine	0,00 to 2,50 ppm (mg/l)



Code	Packaging units	Description
611400	1	Powder reagent to determinate free chlorine DPD-1 (100 test)



Code	Packaging units	Description
729002	1	Plastic test tube 250 cc. for calibrating dosing systems

Chemical products and filtering medias



Code	Packaging units	Product	Contents kg	Description
572300	1	Silicopolyphosphate	25	Silicopolyphosphate in balls
308100	1	Polyphosphate	25	Food-grade polyphosphate crystals
308400	1	Hydroanthracite	25	Filtering hydroanthracite
717501	1	Calcite	25	Solid pH regulation
308200	1	Activated carbon	25	High performing activated carbon for chlorine removal
540200	1	Garnet	25	Filtering media 0,3 - 0,6 mm
308500	1	Filtration silex	25	Filtering media 0,3 - 0,8 mm
308900	1	Filtration silex	25	Filtering media 1,3 - 2,5 mm
309000	1	Filtration silex	25	Filtering media 2 - 4 mm
743300	1	Calcium carbonate	25	Solid pH increaser
346600	1	RO 210	25	Liquid pH increaser
319900	1	Sodium metabisulphite (solid)	25	Chlorine reduction
733000	1	RO 10	25	Anti scaling
658200	1	RO 101	25	RO membrane cleaning acid formula
735400	1	RO P3	20	RO membrane cleaning oxonia active
320000	1	ION phos LP	27	Liquid Polyphosphates for drinking water
320100	1	ION phos PS	25	Liquid Silicopolyphosphates for drinking water
320702	1	Tablet salt	25	Softeners regeneration
308600	1	Zeolite 0,5-1 mm	20	Filtering media 0,5-1 mm
308601	1	Zeolite 1-2 mm	20	Filtering media 1-2 mm
308602	1	Zeolite 2-5 mm	20	Filtering media 2-5 mm
717601	1	Katalox Light	30	Iron removal