



Horeca
Systems
02

columbia®
aqua

CERTIFIED
UNE 149101
EQUIPMENT

CERTIFIED
UNE 149101
COMPONENT










columbia.
aqua

Horeca Systems








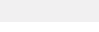
Catalogue | Price list

02



	CS 20, 15 IN, 20 IN, CS Upper Series	10
	CS 30-50 Series	16
	HG/HF 45-55 Series	20
	HG/HF 65 Series	26
	120 Series	30
	180 Series	36
	Water dispenser towers	42
	UVE Systems	50
	Dispenser systems and taps for home and office	54



Lógico Aqua Filtration systems	66	
Lógico Aqua Pro	76	
Reverse osmosis	94	
Accessories and spare parts	102	
Trays and washing racks	112	
Bottles	118	
Installation advice	128	
General terms and regulatory conditions	134	

Suggestions for use

The products recommended for each number of people are the result of evaluations carried out taking into account various factors such as performance, functionalities and design.



1-5
People



COLUMBIA SODA
UPPER



CS 20 TOP



V SYSTEMS



HD 500 SERIES



5-10
People



HF 20 IN



GAMA 15 IN



V SYSTEMS



HD 500 SERIES



10-30
People



CS 30



HG/HF 45 TOP



HG/HF 45 IN



HGL/HFL/
HGCL 45 TOP



V SYSTEMS



30-40
People



HG/HF 45 TOP



HG/HF 45 IN



HGL/HFL/
HGCL 45 TOP



V SYSTEMS



CS 30/CS 50

Suggestions for use



CS 50



HG/HF 55 IN



V SYSTEMS



HGL/HFL/
HGCL 45 TOP



HG/HF 45 TOP



40-50
People



HG/HF 65 IN



HG/HF 65 TOP



50-100
People



HG/HF 120 IN



HG/HF 120 FLOOR



HG/HF 120 TOP



100-180
People



HG/HF 180 IN



HG/HF 180 FLOOR



HG/HF 180 TOP



180-300
People

Efficiency, savings and sustainability for every need

The water you want, where you want it

Our water coolers have obtained the most important European and international certifications, which attests to the quality and safety standards of our products.

This guarantee of integrity also extends to our suppliers and the production process.

All our ranges use food-grade materials and comply with the strictest electrical and hydraulic safety and reference standards.

Certifications*



Partnerships





The challenge to "drink drinking responsibly"

Our planet's resources are precious and each of us must be concerned to use and consume them responsibly. must be concerned about using and consuming them responsibly.



Combat waste: because water is such a precious commodity that it must be preserved at all costs.



The fight against plastic: because to produce a 1.5-litre PET water bottle, we need about 750 ml of water and it becomes waste for centuries.



The difficult management challenge: because the world produces 340 million tonnes of plastic every year. It is a material that is harmful to humans and the environment.

According to the Global Footprint Network, in 2017, we used well over 171% of the Earth's resources in terms of human demand for natural Earth's resources in terms of human demand for natural elements such as food, wood, fibre and water. food, wood, fibre and water.

That's why the focus of our cause is "drink responsibly".

In view of this, we have decided to embark on our (r)evolution: to fight against the launch of disposable bottles, in favour of water supplied in reusable containers.

Our mission is to trigger a cultural conversion of consumption that restores water to its natural essence: respected, controlled and without waste.

Pictograms



Room temperature water production.

12 lph

Hourly production.



Cold water production.



No installation required.



Hot water production..



Volume regulation.



Production de agua con sparkling.



No volume regulation.



Equipment with sparkling water.



Premium product.



Pictograms



Electronical system.



Different towers to choose.



Height adjustable dispenser.



Recirculation.



Mechanical system.



Touch - sensitive.



Touchless.



Cabinet optional.



Under demand.

Information on CO₂ consumption of Simple-use bottles

This information is approximate, carried out in our laboratory with a constant temperature of 15°C, bottle pressure between 55/60 Bar and bottle outlet at 3.5 Bar.

600 gr cylinder
850 gr cylinder
1300 gr cylinder

100 liters
150 liters
245 liters



CS 20, 15 IN, 20 IN, CS Upper Series



8, 12, 15, 20 litres per hour



CS 20 TOP

Cold, room and sparkling water.

Equipment suitable for domestic use, offices, pubs and cafés. Available with connection to the network or a built-in tank in the equipment.

ABS table-top dispenser. No installation required.

12 lph
Cold water
production



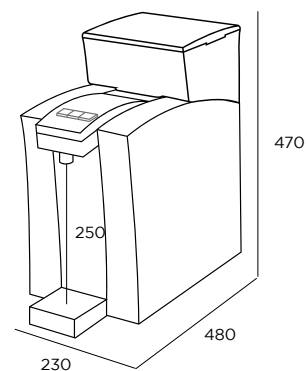
SPECIFICATIONS:

Production: 12 l/h.
Continuous production: 3 l.
Temperature: 3 - 8 °C.
Cooling sparkling: R 600a (35 gr.)
Compressor power: 190 W.
Tank volume: 3,5 l.
Water inlet connection: 6 mm.
Sparkling inlet connection: 4 mm.
Materials: ABS housing.
Weight: 19 kg.

VOLUME REGULATION

Accessories:

Wall adaptor M3/8" - H1/4" - H3/8".
Ball valve M1/4".
2 m tube 6 mm.
High-efficiency carbon block cartridge.
Bombona monouso 600 gr CO₂.



Mechanical



Room



Cold



Sparkling

Columbia Soda Upper

Cold, room and sparkling water.

Equipment suitable for domestic use, offices, and cafés.

Table-top dispenser.
(No Includes regulador de CO₂).
En steel y frontal de cristal.

8 lph

Cold water production

10 lph

Sparkling water production

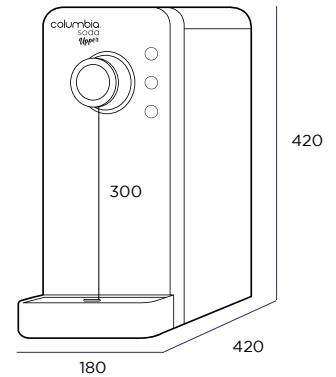


SPECIFICATIONS:

Water inlet connection: 1/4 "
Inlet connection CO₂: 5/16 " (8mm)
Temperature: 3 - 10 °C.
Compressor power: 130w
Cold water production: 8 l / h
Sparkling water production: 10 l / h
Cooling sparkling: R600a.
Weight:23 kg
Tank volume: 2,4 l.

Accessories:

1 m tube 5/16" (8 mm.)
1 m tube 1/4".
Ball valve 1/4".
Ball valve 5/16" (8 mm.)



Touch-sensitive



Room



Cold



Sparkling

980846	Table-top dispenser Columbia Soda Upper	•	•	•	•
980490	CO ₂ Regulator for Simple-use cylinder				

15 IN Series

Cold, room, hot and sparkling water.

Equipment suitable for small offices.

Steel under-counter dispenser

15 lph
Cold water production


Column to choose from

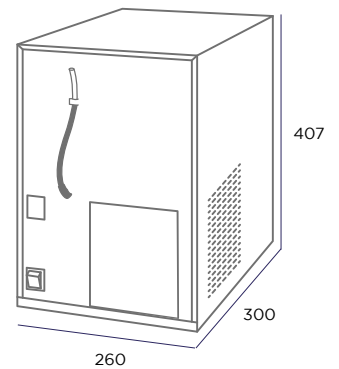


SPECIFICATIONS:

- Cold water production: 15 l/h.
- Continuous production: 3 l.
- ** Hot water production: 13 l/h.
- Cold water temperature: 3 - 10 °C.
- **Hot water temperature: 95°C.
- Ice bank capacity: 1 kg.
- Cooling sparkling: R290.
- Compressor power: 155 W.
- **Heater Power: 1200 W.
- ** Hot water tank volume: 1 l.
- Water inlet connection: 8 mm.
- Inlet connection CO₂: 6 mm.
- Materials: Steel.
- Weight: 15-21 Kg (according to model).

Accessories:

- 2 adaptors M3/8" - 8 mm.
- 2 m tube 8 mm.
- *2 m tube 6 mm.
- *Pressure reducer CO₂



* Only models HG and HGC
** Only models HFC and HGC

 Room
  Cold
  Sparkling
  Hot

980748	HG 15 IN	•	•	•	
980730	HGC 15 IN	•	•	•	•
980135	HFC 15 IN	•	•		•

HF 20 IN Series

Agua cold.

Equipment suitable for domestic use, offices, and cafés.

Steel under-counter dispenser

20 lph
Cold water
production



Column to
choose from

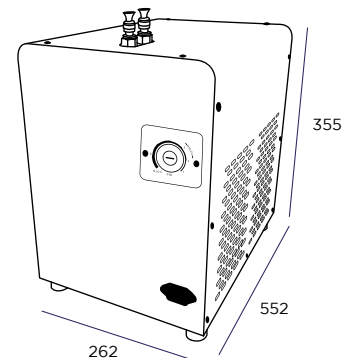


SPECIFICATIONS:

Production: 20 l / h.
Continuous production: 2 l.
Cold temperature: 4 - 11°C.
Cold water tank cold con serpentín interior.
Cooling sparkling: R290.
Compressor power: 200 w.
Water inlet connection: 1/4" mm.
Sparkling inlet connection: 1/4" mm.
Power supply 1,5A - 240 VAC.
Materials: Inox Steel.
Weight: 13 Kg.

Accessories:

2 m tubes 1/4".



Cold



CS 30 - 50 Series



30/50 litres per hour

CS 30 Series

Cold, room and sparkling water.

Equipment suitable for domestic use, offices, pubs, restaurants and cafés.

Table-top dispenser.
Electronic.

30 lph
Cold water
production



SPECIFICATIONS:

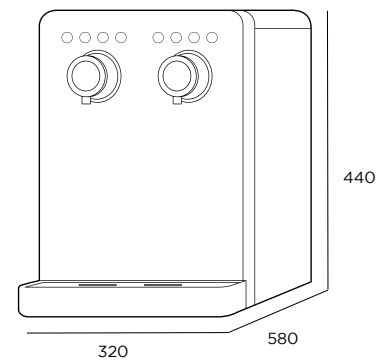
Cold water production: 30 l/h.
Sparkling water production: 20 l/h.
Temperature: 3 - 10 °C.
Tank volume: 9 l.
Cooling sparkling: R290.
Compressor power: 450 W
Water outputs: 2

- 1 cold, room.
- 1 sparkling water.

 Water inlet connection: 1/4".
Sparkling inlet connection: 5/16" (8 mm).
Materials: Steel and ABS.
Weight: 21-27 Kg (according to model).

Accessories:

Hand valve: 5/16".
Hand valve 1/4".
1 m tube 8 mm.
1 m tube 1/4".
Pressure reducer CO₂.



Room



Cold



Sparkling



Volume
regulation



Electrical

CS 50 Series

Cold, room and sparkling water.

Equipment for collectivities and medium-sized restaurants.

Table-top dispenser.
Electronic.

50 lph
Cold water
production



SPECIFICATIONS:

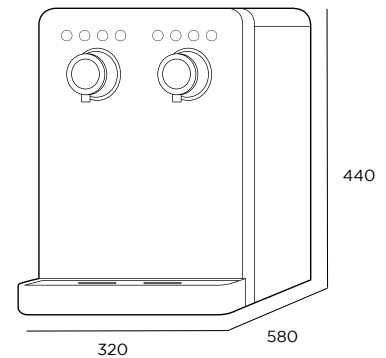
Cold water production: 50 l/h.
Sparkling water production: 35 l/h.
Temperature: 3 - 10 °C.
Tank volume: 9 l.
Cooling sparkling: R290.
Compressor power: 600 W
Water outputs: 2

- 1 cold, room.
- 1 sparkling water.

 Water inlet connection: 1/4".
Sparkling inlet connection: 5/16" (8 mm).
Materials: Steel and ABS.
Weight: 21-27 Kg (according to model).

Accessories:

Hand valve: 5/16".
Hand valve 1/4".
1 m tube 8 mm.
1 m tube 1/4".
Pressure reducer CO₂.



Room



Cold



Sparkling



Volume
regulation



Electrical



HG/HF 45 - 55 Series



45/55 litres per hour



45 TOP Series

Cold, room, Hot and sparkling water.

Equipment suitable for offices, pubs, cafés and small restaurants.

Table-top Dispenser.
Electronical, ABS-Steel.

45 lph
Cold water production



Cabinet optional



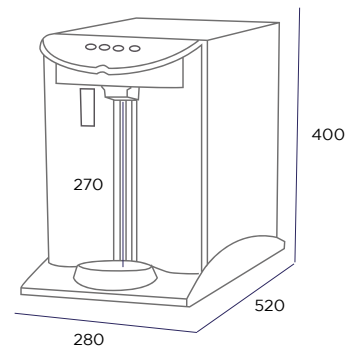
SPECIFICATIONS:

- Production: 45 l/h.
- Continuous cold water production: 9 l.
- **Hot water production: 8 l.
- Temperature agua cold: 3 - 10 °C.
- **Hot water temperature: 95 °C.
- Ice bank capacity: 2 Kg.
- Cooling sparkling: R290.
- Compressor power: 1/10 CV.
- Water inlet connection: 8 mm.
- *Sparkling inlet connection: 6 mm.
- Materials: Steel and ABS.
- Weight: 21-27 Kg (according to model).

*Only models HG
**Only modelsHFC
(Cabinet page 107)

Accessories:

- Adaptor H3/4" - Stem 8 mm.
- Elbow 8 mm.
- Adaptor M3/8" - 8 mm.
- 1 m tube 8 mm.
- *1 m tube 6 mm.
- *Pressure reducer CO₂.



Room



Cold



Sparkling



Hot



Volume regulation



Electronical



Mechanical

Model	Room	Cold	Sparkling	Hot	Volume regulation	Electronical	Mechanical
980006 HG 45 E TOP	•	•	•		•	•	
980004 HG 45 TOP	•	•	•				•
980009 HF 45 E TOP	•	•			•	•	
980008 HF 45 TOP	•	•					•
980295 HFC 45 TOP	•	•		•			•

45 L TOP Series

Cold, room, Hot and sparkling water.

Equipment suitable for offices, pubs, restaurants and cafés.

Table-top dispenser.
Glass-ABS-Steel.

45 lph
Cold water production



Cabinet optional



PRODUCTO PREMIUM

Modern and functional equipment with an Italian design. The use of high quality materials makes this equipment suitable for those establishments where the design is an essential part of the identity of the premises.

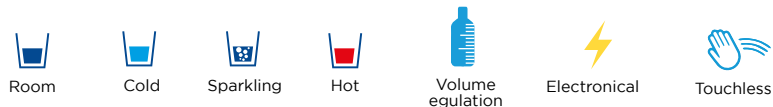
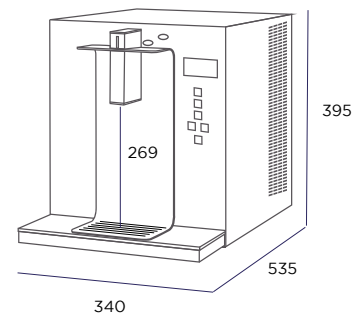
SPECIFICATIONS:

- Production: 45 l/h.
- Continuous cold water production: 9 l.
- ** Hot water production: 15 l.
- Temperature agua cold: 3 - 10 °C.
- **Hot water temperature: 98 °C.
- Ice bank capacity: 2 Kg.
- Cooling sparkling: R290.
- Compressor power: 1/10 CV.
- Water inlet connection: 8 mm.
- *Sparkling inlet connection: 6 mm.
- Materials: Steel and ABS.
- Weight: 30-32 Kg (according to model).

*Only models HGL
**Only models HGCL
(Cabinet page 107)

Accessories:

- Adaptor H3/4" - Stem 8 mm.
- Elbow 8 mm.
- Adaptor M3/8" - 8 mm.
- 1 m tube 8 mm.
- *1 m tube 6 mm.
- *Pressure reducer CO₂.



		Room	Cold	Sparkling	Hot	Volume regulation	Electrical	Touchless
980127	HGL 45 E TOP	•	•	•		•	•	
980631	HGL 45 E TOP TOUCHLESS	•	•	•		•	•	•
980569	HFL 45 E TOP	•	•			•	•	
980855	HFL 45 E TOP TOUCHLESS	•	•			•	•	•
980795	HGCL 45 E TOP	•	•	•	•	•	•	

45/55 IN Series

Cold, room and sparkling water.

Equipment suitable for offices, pubs, cafés and small restaurants.

Under-counter dispenser.
Steel.

45-55 lph
Cold water
production



Tower



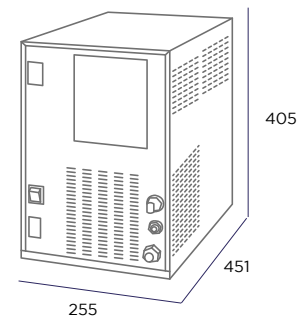
SPECIFICATIONS:

Production: 45 -55 l / h.
Continuous production: 9 - 12 l.
Temperature: 3 - 10 °C.
Ice bank capacity: 2-4 Kg.
Cooling sparkling: R290.
Compressor power: 1/10 - 1/16 CV.
Water inlet connection: 8 mm.
*Sparkling inlet connection: 6 mm (45 IN), 8 mm (55 IN).
Materials: Steel.
Weight: 22-27 Kg (according to model).

*Only models HG

Accessories:

2 adaptors H3/8" - 8 mm.
2 m tube 8 mm.
*Pressure reducer CO₂.



Room



Cold



Sparkling

980040	HF 45 IN	•	•	
980217	HG 55 IN	•	•	•
980434	HF 55 IN	•	•	





HG/HF 65 Series



65 litres per hour



65 TOP Series

Cold, room and sparkling water.

Equipment for collectivities and medium-sized restaurants.

Table-top dispenser.
Steel-inox.

65 lph
Cold water production



SPECIFICATIONS:

Production: 65 l/h.
 Continuous production: 40 l.
 Temperature: 3 - 10 °C.
 Ice bank capacity: 4,5 Kg.
 Cooling sparkling: R290.
 Compressor power: 1/6 CV.
 Water outputs HG:
 3 (1 cold, 1 room, 1 sparkling).
 Water outputs HF:
 3 (2 cold, 1 room).
 *Water inlet connection: 8 mm.
 Sparkling inlet connection: 8 mm.
 Materials: Inox Steel.
 Weight: 32-40 Kg (according to model).

Accessories:

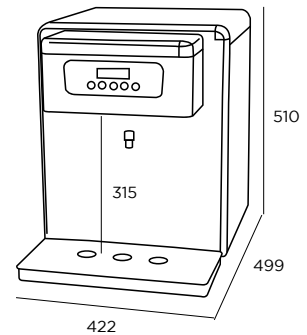
Adaptor H3/4" - Stem 8 mm.
 Elbow 8 mm.
 Adaptor M3/8" - 8 mm.
 2 m tube 8 mm.
 *Pressure reducer CO₂.



B1. Tray básica



B2. Tray con desagüe



*Only models HG



Room



Cold



Sparkling



Volume regulation



Electronical



Mechanical



Touchless



Tray

Model	Room	Cold	Sparkling	Volume regulation	Electronical	Mechanical	Touchless	Tray
980115 HG 65 E TOP B1	•	•	•	•	•			B1
980378 HG 65 E TOP B2	•	•	•	•	•			B2
980343 HG 65 TOP B1	•	•	•			•		B1
980382 HG 65 TOP B2	•	•	•			•		B2
980619 HG 65 E TOP TOUCHLESS B1	•	•	•	•	•		•	B1
980636 HG 65 E TOP TOUCHLESS B2	•	•	•	•	•		•	B2
980638 HG 65 TOP TOUCHLESS B1	•	•	•			•	•	B1
980639 HG 65 TOP TOUCHLESS B2	•	•	•			•	•	B2
980057 HF 65 E TOP B1	•	•		•	•			B1
980380 HF 65 E TOP B2	•	•		•	•			B2
980207 HF 65 TOP B1	•	•				•		B1
980384 HF 65 TOP B2	•	•				•		B2
980620 HF 65 E TOP TOUCHLESS B1	•	•		•	•		•	B1
980621 HF 65 E TOP TOUCHLESS B2	•	•		•	•		•	B2
980642 HF 65 TOP TOUCHLESS B1	•	•				•	•	B1
980643 HF 65 TOP TOUCHLESS B2	•	•				•	•	B2
980043	Centering device for 3 bottles							

65 IN Series

Equipment for collectivities and medium-sized restaurants.

Under-counter dispenser.
Steel.

65 lph
Cold water production



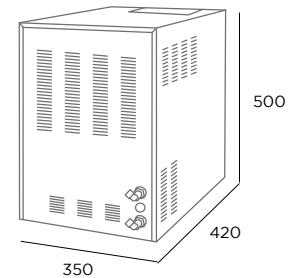
SPECIFICATIONS:

- Production: 65 l/h.
- Continuous production: 40 l.
- Temperature: 3 - 10 °C.
- Ice bank capacity: 4,5 Kg.*
- Cooling sparkling: R290.
- Compressor power: 1/6 CV.
- Water inlet connection: 8 mm.
- *Sparkling inlet connection: 8 mm.
- Materials: Steel.
- Weight: 29-37 Kg (according to model).
- Max. tube length up to the tower:
 - IN equipments: 1,5 m
 - IN equipments R: 15 m tube Python.

*Only models HG

Accessories:

- 2 adaptors M3/8" - 8 mm.
- 2 m tube 8 mm.
- *Pressure reducer CO₂.



Room



Cold



Sparkling



Mechanical



Recirculation



Under demand

		Room	Cold	Sparkling	Mechanical	Recirculation	Under demand
980193	HG 65 IN	•	•	•	•		
980195	HG 65 IN R	•	•	•	•	•	•
980192	HF 65 IN	•	•		•		
980194	HF 65 IN R	•	•		•	•	•



120 Series



120 litres per hour



120 S Series

Cold, room and sparkling water.

Equipment for restaurants and restaurants.

Floor dispenser. Electronical, Stainless steel.

120 lph
Cold water production



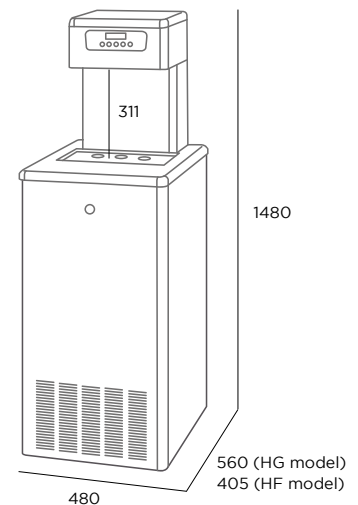
SPECIFICATIONS:

Production: 120 l/h.
 Continuous production: 70 l.
 Temperature: 3 - 10 °C.
 Ice bank capacity: 6,5 Kg.
 Cooling sparkling: R290.
 Compressor power: 1/3 CV.
 Water outputs HG:
 3 (1 cold, 1 room, 1 sparkling).
 Water outputs HF:
 3 (1 cold, 1 room, 1 cold).
 Water inlet connection: 8 mm.
 *Sparkling inlet connection: 8 mm.
 Materis: Stainless steel.
 Weight: 39-49 Kg (according to model).

*Only models HG

Accessories:

Adaptor H3/4" - Stem 8 mm.
 Elbow 8 mm.
 Adaptor M3/8" - 8 mm.
 2 m tube 8 mm.
 *Pressure reducer CO₂.



Room



Cold



Sparkling



Volume
egulation



Electronical



Mechanical



Touchless



Under
demand

Model	Room	Cold	Sparkling	Volume egulation	Electronical	Mechanical	Touchless	Under demand
980021 HG 120 E S	•	•	•	•	•			
980655 HG 120 E S TOUCHLESS	•	•	•	•	•		•	
980018 HF 120 E S	•	•		•	•			
980017 HF 120 S	•	•				•		
980656 HF 120 E S TOUCHLESS	•	•		•	•		•	•
980675 HF 120 S TOUCHLESS	•	•					•	

980043 Centering device for 3 bottles

120 TOP Series

Cold, room and sparkling water.

Equipment for restaurants and restaurants.

Table-top dispenser. Steel-inox.

120 lph
Cold water production



SPECIFICATIONS:

Production: 120 l/h.
 Continuous production: 70 l.
 Temperature: 3 - 10 °C.
 Ice bank capacity: 6,5 Kg.
 Cooling sparkling: R290.
 Compressor power: 1/3 CV.
 Water outputs HG:
 3 (1 cold, 1 room, 1 sparkling).
 Water outputs HF:
 3 (1 cold, 1 room, 1 cold).
 Water inlet connection: 8 mm.
 *Sparkling inlet connection: 8 mm.
 Materials: Stainless steel.
 Weight: 40-48 Kg (according to model).

*Only models HG

Accessories:

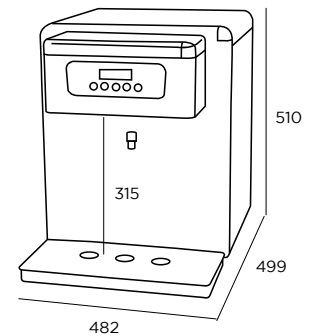
Adaptor H3/4" - Stem 8 mm.
 Elbow 8 mm.
 Adaptor M3/8" - 8 mm.
 2 m tube 8 mm.
 *Pressure reducer CO₂.



B1. Basic Tray



B2. Tray with drain



Model	Room	Cold	Sparkling	Volume regulation	Electronical	Mechanical	Touchless	Tray
980015 HG 120 E TOP B1	•	•	•	•	•			B1
980392 HG 120 E TOP B2	•	•	•	•	•			B2
980014 HG 120 TOP B1	•	•	•			•		B1
980013 HG 120 TOP B2	•	•	•			•		B2
980645 HG 120 E TOP TOUCHLESS B1	•	•	•	•	•		•	B1
980646 HG 120 E TOP TOUCHLESS B2	•	•	•	•	•		•	B2
980648 HG 120 TOP TOUCHLESS B1	•	•	•			•	•	B1
980649 HG 120 TOP TOUCHLESS B2	•	•	•			•	•	B2
980012 HF 120 E TOP B1	•	•		•	•			B1
980394 HF 120 E TOP B2	•	•		•	•			B2
980011 HF 120 TOP B1	•	•				•		B1
980010 HF 120 TOP B2	•	•				•		B2
980651 HF 120 E TOP TOUCHLESS B1	•	•		•	•		•	B1
980622 HF 120 E TOP TOUCHLESS B2	•	•		•	•		•	B2
980611 HF 120 TOP TOUCHLESS B1	•	•					•	B1
980653 HF 120 TOP TOUCHLESS B2	•	•					•	B2

980043 Centering device for 3 bottles

120 IN Series

Cold, room and sparkling water.

Equipment for restaurants and restaurants.

Under-counter dispenser. Steel.

120 lph
Cold water production

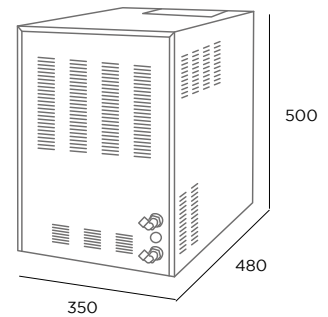


SPECIFICATIONS:

- Production: 120 l/h.
- Continuous production: 70 l.
- Temperature: 3 - 10 °C.
- Ice bank capacity: 6,5 Kg.
- Cooling sparkling: R290.
- Compressor power: 1/3 CV.
- Water outputs HG: 3 (1 cold, 1 room, 1 sparkling).
- Water outputs HF: 2 (1 cold, 1 room).
- Water inlet connection: 8 mm.
- *Sparkling inlet connection: 8 mm.
- Materials: Steel.
- Weight: 37-48 Kg (according to model).
- Max. tube length up to the tower:
 - IN equipments: 1,5 m
 - IN equipments R: 15 m tube Python.

Accessories:

- 2 adaptors H3/8" 8 mm.
- 2 m tube 8 mm.
- *Pressure reducer CO₂.



*Only models HG



Room



Cold



Sparkling



Mechanical



Recirculation



Under demand

Model	Room	Cold	Sparkling	Mechanical	Recirculation	Under demand
980022 HG 120 IN	•	•	•	•		
980066 HG 120 IN R	•	•	•	•	•	•
980053 HF 120 IN	•	•		•		
980069 HF 120 IN R	•	•		•	•	•





180 Series



180 litres per hour



180 S Series

Cold, room and sparkling water.

Equipment for restaurants and restaurants.

Floor dispenser. Electronical, Stainless steel.

180 lph
Cold water production



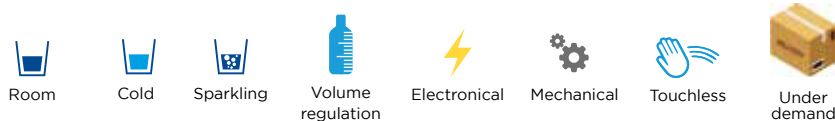
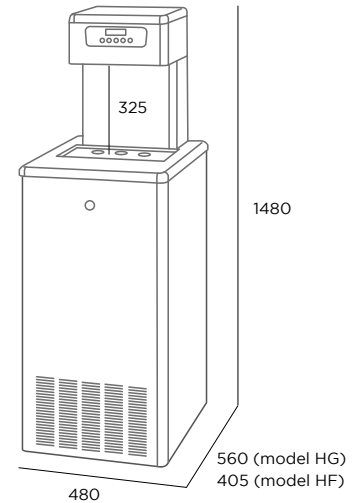
SPECIFICATIONS:

- Production: 180 l/h.
- Continuous production: 100 l.
- Temperature: 3 - 10 °C.
- Ice bank capacity: 11,5 Kg.
- Cooling sparkling: R290.
- Compressor power: 1/3 CV.
- Water outputs HG: 3 (1 cold, 1 room, 1 sparkling).
- Water outputs HF: 3 (1 cold, 1 room, 1 cold).
- Water inlet connection: 8 mm.
- *Sparkling inlet connection: 8 mm.
- Materials: Inox stee.
- Weight: 52-60 Kg (according to model).

*Only models HG

Accessories:

- Adaptor H3/4" - Stem 8 mm.
- Elbow 8 mm.
- Adaptor M3/8" - 8 mm.
- 2 m tube 8 mm.
- *Pressure reducer CO₂.



	Room	Cold	Sparkling	Volume regulation	Electronical	Mechanical	Touchless	Under demand
980062 HG 180 ES	•	•	•	•	•			
980682 HG 180 ES TOUCHLESS	•	•	•	•	•		•	
980064 HF 180 ES	•	•		•	•			•
980065 HF 180 S	•	•				•		•
980683 HF 180 ES TOUCHLESS	•	•		•	•		•	•
980684 HF 180 S TOUCHLESS	•	•					•	•

980043 Centering device for 3 bottles

180 TOP Series

Cold, room and sparkling water.

Equipment for restaurants, hotels, buffets and restaurants.

Table-top dispenser. Steel-inox.

180 lph
Cold water production



SPECIFICATIONS:

Production: 180 l/h.
 Continuous production: 100 l.
 Temperature: 3 - 10 °C.
 Ice bank capacity: 11,5 Kg.
 Cooling sparkling: R290.
 Compressor power: 1/3 CV.
 Water outputs HG:
 3 (1 cold, 1 room, 1 sparkling).
 Water outputs HF:
 3 (1 cold, 1 room, 1 cold).
 Water inlet connection: 8 mm.
 *Sparkling inlet connection: 8 mm.
 Materials: Inox stee.
 Weight: 51-60 Kg (according to model).

Accessories:

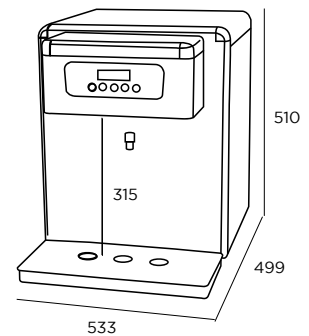
Adaptor H3/4" - Stem 8 mm.
 Elbow 8 mm.
 Adaptor M3/8" - 8 mm.
 2 m tube 8 mm.
 *Pressure reducer CO₂.



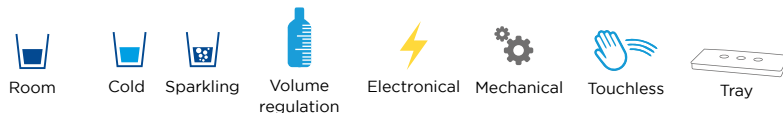
B1. Tray básica



B2. Tray con desagüe



*Only models HG



Model	Room	Cold	Sparkling	Volume regulation	Electrical	Mechanical	Touchless	Tray
980058 HG 180 E TOP B1	•	•	•	•	•			B1
980396 HG 180 E TOP B2	•	•	•	•	•			B2
980059 HG 180 TOP B1	•	•	•			•		B1
980400 HG 180 TOP B2	•	•	•			•		B2
980657 HG 180 E TOP B1 TOUCHLESS	•	•	•	•	•		•	B1
980658 HG 180 E TOP B2 TOUCHLESS	•	•	•	•	•		•	B2
980676 HG 180 TOP B1 TOUCHLESS	•	•	•				•	B1
980678 HG 180 TOP B2 TOUCHLESS	•	•	•				•	B2
980060 HF 180 E TOP B1	•	•		•	•			B1
980398 HF 180 E TOP B2	•	•		•	•			B2
980061 HF 180 TOP B1	•	•				•		B1
980402 HF 180 TOP B2	•	•				•		B2
980757 HF 180 E TOP B1 TOUCHLESS	•	•		•	•		•	B1
980758 HF 180 E TOP B2 TOUCHLESS	•	•		•	•		•	B2
980679 HF 180 TOP B1 TOUCHLESS	•	•					•	B1
980681 HF 180 TOP B2 TOUCHLESS	•	•					•	B2

980043 Centering device for 3 bottles

180 IN Series

Cold, room and sparkling water.

Equipment for restaurants, hotels, buffets and large restaurants.

Under-counter dispenser.
Steel.

180 lph
Cold water production



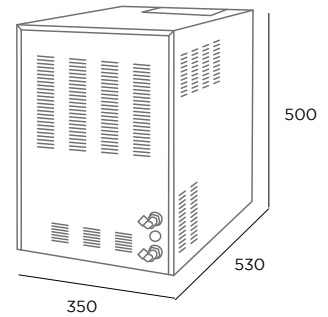
SPECIFICATIONS:

- Production: 180 l/h.
- Continuous production: 100 l.
- Temperature: 3 - 10 °C.
- Ice bank capacity: 11,5 Kg.
- Cooling sparkling: R290
- Compressor power: 1/3 CV.
- Water outputs HG: 3 (1 cold, 1 room, 1 sparkling).
- Water outputs HF: 2 (1 cold, 1 room).
- Water inlet connection: 8 mm.
- *Sparkling inlet connection: 8 mm.
- Materials: Steel.
- Weight: 43-51 Kg (according to model).
- Max. tube length up to the tower:
 - IN equipments: 1,5 m
 - IN equipments R: 15 m tube Python.

*Only models HG

Accessories:

- 2 adaptors H3/8" 8 mm.
- 2 m tube 8 mm.
- *Pressure reducer CO₂.



Room



Cold



Sparkling



Mechanical



Recirculation



Under demand

Model	Room	Cold	Sparkling	Mechanical	Recirculation	Under demand
980072 HG 180 IN	•	•	•	•		
980078 HG 180 IN R	•	•	•	•	•	•
980075 HF 180 IN	•	•		•		
980081 HF 180 IN R	•	•		•	•	•



Italy



Electronics and mechanicals
Water dispenser towers



Italy water dispenser tower

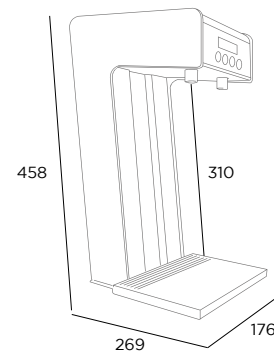
To drill on the counter.
Three types of water.

-  Electrical
-  Volume regulation



SPECIFICATIONS:

Electronic tower made of Stainless steel and ALUMINIUM. Modern and functional design. Two water outlets with adjustable water volume and temperature. Selection and configuration of the tower with a configurable digital display. 1" diameter dowel.



VOLUME REGULATION



-  Room
-  Cold
-  Sparkling
-  Touchless

980037	Italy	electronical dispenser tower	3 types of water	Basic tray	•	•	•	
980691	Italy	electronical dispenser tower	3 types of water	Tray raised with drain	•	•	•	
980692	Italy	electronical dispenser tower	3 types of water	Tray recessed	•	•	•	
980623	Italy	electronical dispenser tower	3 types of water	Basic tray	•	•	•	•
980689	Italy	elec. dispenser tower	3 types water	Tray raised with drain	•	•	•	•
980690	Italy	elec. dispenser tower	3 types water	Tray recessed	•	•	•	•
980119		Centering device for 2 bottles						

Italy electrical dispenser tower. With clamp

Incl. bracket.
Three types of water.



Electronical



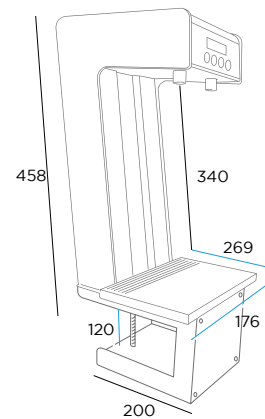
Volume regulation



SPECIFICATIONS:

Electronic tower made of Stainless steel and ALUMINIUM. Modern and functional design. Two water outlets with adjustable water volume and temperature. Selection and configuration of the tower with a configurable digital display.

VOLUME REGULATION



Room



Cold



Sparkling



Touchless

980085	Italy electrical dispenser tower 3 types of water	•	•	•	
980661	Italy electrical dispenser tower 3 types of water Touchless	•	•	•	•
980119	Centering device for 2 bottles				

Water dispenser tower mechanical Borne

Mechanical Water dispenser tower. 2 or 3 types of water.

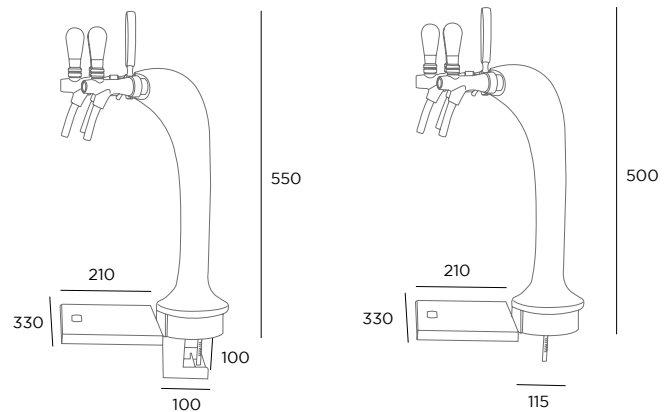


SPECIFICATIONS:

Columna fabricada en latón cromado con 2/3 grifos for fijar con un agujero pasador en la encimera o en la barra. Includes Tray.

Dos versiones según sistema de fijación:

- For taladrar en encimera, fijación mediante tube roscado.
- Con soporte for fijar a la barra, con pinza tipo sargento.



Ø drill
 2 ways: 35 mm.
 3 ways: 50 mm.

	Fijación taladro	Fijación pinza
980425 Borne column 3 taps to drill in bar with tray	•	
980685 Borne column 3 taps to drill in bar with tray recessed	•	
980426 Borne column 2 taps to drill in bar with tray	•	
980686 Borne column 2 taps to drill in bar with tray recessed	•	
980423 Borne column 3 taps with clamp and with tray		•
980424 Borne column 2 taps with clamp and with tray		•

Water dispenser tower mechanical Oldem

Mechanical Water dispenser tower.
2 or 3 types of water.

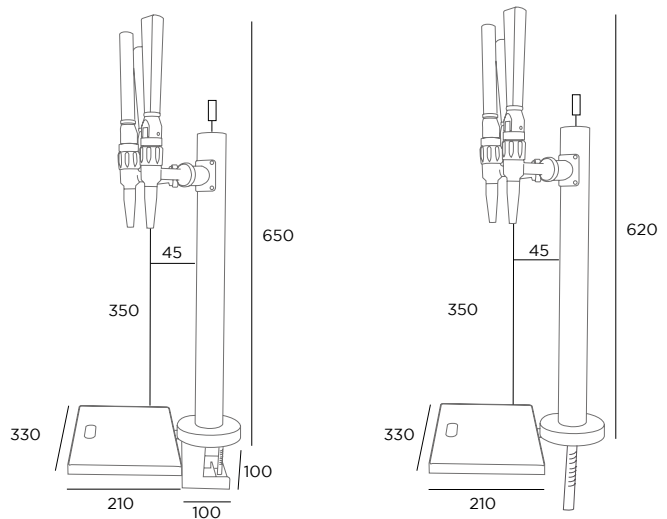



SPECIFICATIONS:

Columna acabado blanco cerámico.
Con 2/3 grifos dispensadores.
Includes Tray inoxidable.

Dos versiones según sistema de fijación:

- For taladrar en encimera, fijación mediante tube roscado 1 1/2" (50 mm.)
- Con soporte for fijar a la barra, con pinza tipo sargento.



 **Ø drill**
3 ways: 50 mm.

Fijación taladro Fijación pinza

980413	Oldem column 3 types of water for drilling Basic tray	•	
980687	Oldem column 3 types of water for drilling Tray recessed	•	
980457	Oldem column 2 types of water for drilling Basic tray	•	
980688	Oldem column 2 types of water for drilling Tray recessed	•	
980415	Columna Oldem 3 types of water with clamp		•
980458	Columna Oldem 2 types of water with clamp		•

Water dispenser tower Arendal

Electronical Water dispenser tower. 3 tipos de agua. For taladrar.



Electronical



Volume regulation

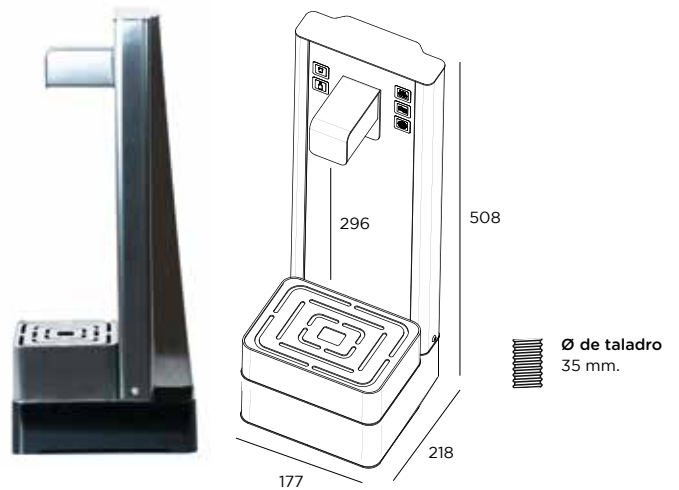


SPECIFICATIONS:

Columna Electronical fabricada en Stainless steel. Diseño elegante y actual. Un salida y tres tipos de agua.

Configurable en volumen de dispensación. Selección de agua y dosis con botones Touch-sensitivees.

Tray incluida.



Room



Cold



Sparkling

Water dispenser tower Arendal

Electronical Water dispenser tower. 3 tipos de agua. Con pinza for fijar en barra.



Electronical



Volume regulation



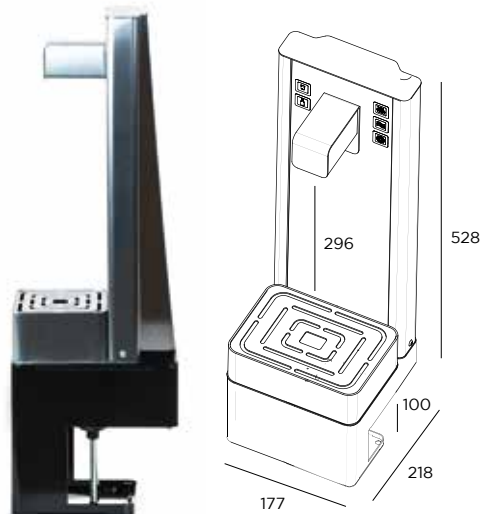
SPECIFICATIONS:

Columna Electronical fabricada en Stainless steel. Diseño elegante y actual. Un salida y tres tipos de agua.

Configurable en volumen de dispensación.

Selección de agua y dosis con botones Touch-sensitivees.

Tray incluida.



Room



Cold



Sparkling



UVE System



Simplicity at home
and office

HC 215 E IN range

Hot water dispenser system for the Horeca and domestic market.

For bar drilling.



Electronical



Touch-sensitive



PREMIUM
PRODUCT

Modern and functional equipment with an Italian design. The use of high quality materials makes this equipment suitable for those establishments where the design is an essential part of the identity of the premises.

SPECIFICATIONS:

State-of-the-art equipment that allows one to instantly have hot water (up to 98 °C) to prepare any drink in just a few seconds.

Design faucet with insulating body and touch control screen. Simple press. Installation under the worktop. Space saving.

Open hot water tank: The generated steam is channeled through the drain.

Constant temperature (98 °C) from the first glass. Anti-boiling function.

The operating phase of the hot water (ready, heating, off) is indicated by light signals on the control display. Safety function to prevent accidents. Energy-saving mode after two hours without being used.

Connected to \varnothing 6 mm pipe.

Production: 50 l / h.

Continuous production agua Hot: 3l.

Temperature agua Hot: 98 °C.

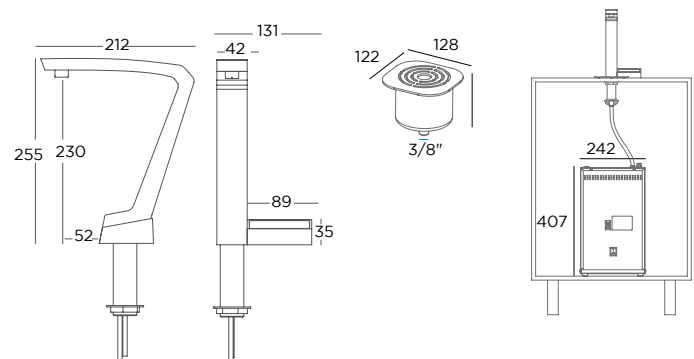
Tank capacity: 5l.

Water inlet connections: 8mm.

Heater power: 2600W.

Materials: Stainless steel.

Weight: 19,5 Kg.



Grifo UVE

+



Caldera de agua Hot



Hot

HCGF 215 E IN range

Hot, cold, and sparkling water dispenser system for the Horeca and domestic market.

For bar drilling. In the case of the version with cold and sparkling water, it must be complemented with HF or HG equipment to obtain cold water and sparkling water.



Electronical



Touch-sensitive



PREMIUM PRODUCT

Modern and functional equipment with an Italian design. The use of high quality materials makes this equipment suitable for those establishments where the design is an essential part of the identity of the premises.

SPECIFICATIONS:

State-of-the-art equipment that allows one to instantly have hot water (up to 98 °C) to prepare any drink in just a few seconds. Possibility to add the cold water option.

Design faucet with insulating body and touch control screen. Simple press. Installation under the worktop. Space saving.

Modular: two sefor te units for hot and cold water. Open hot water tank: The generated steam is channeled through the drain. Constant temperature (98 °C) from the first glass. Anti-boiling function.

The operating phase of the hot water (ready, heating, off) is indicated by light signals on the control display. Safety function to prevent accidents. Energy-saving mode after two hours without being used.

Connected to ø 6 mm pipe.

Production: 50 l / h.

Continuous production agua Hot: 3l.

Temperature agua Hot: 98 °C.

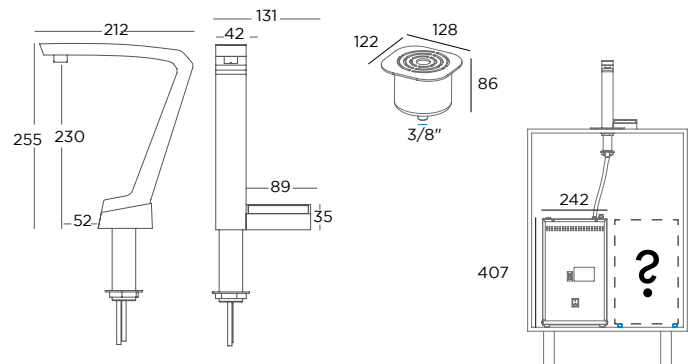
Tank capacity: 5l.

Water inlet connections: 8mm.

Heater power: 2600W.

Materials: Stainless steel.

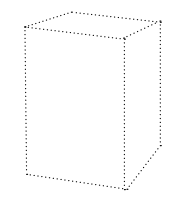
Weight: 19,5 Kg.



UVE Faucet



Hot water boiler



Add cold/sparkling water HF or HG equipment 45 | 55 | 65 | 120 | 180 IN (equipment not included).



Hot



Room



Cold



Sparkling





HD 540/545 Series



Dispensers and taps for cold water, room temperature, sparkling, and hot for home and offices.

HD 540 FAG range

Cold, room temperature, and sparkling water system.

15 lph
Production



Electrical



Touch-
sensitive



Dispensing system of 3 types of water: cold, room temperature and hot. Avant-garde design and very easy to use..

It consists of a 3-way HUPER electronic faucet in satin steel and blacktop finish.

This faucet is divided into 2 parts. The water part and the electronic drive part. It includes a cold, hot, room temperature, gas unit, and accessories for installation and assembly.

SPECIFICATIONS:

Cold water production: 15 l/h.

Continuous production: 3 l.

Cold water temperature: 3 - 10 °C.

Ice bank capacity: 1 kg.

Cooling sparkling: R290.

Compressor power: 155 W.

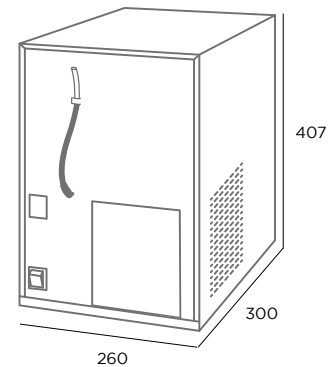
Water inlet connection: 8 mm.

Inlet connection CO₂: 6 mm.

Materials: Steel.

Weight: 15 Kg.

Includes pressure reducer CO₂



Room



Cold



Sparkling

HD 545 FAGC range

Cold, room temperature,
and sparkling water
system.

15 lph
Production



Electronical



Touch-
sensitive



Dispensing system of 4 types of water: cold, room temperature, sparkling and hot. Avant-garde design and very easy to use. It includes hot water insurance.

It consists of a 4-way HUPER electronic faucet in satin steel and blacktop finish.

This faucet is divided into 2 parts. The water part and the electronic drive part. It includes a cold, heat, sparkling, and room temperature unit, accessories for installation, and assembly.

SPECIFICATIONS:

Cold water production: 15 l/h. Continuous production: 3 l.

Hot water production: 13 l/h.

Cold water temperature: 3 - 10 °C.

Hot water temperature: 95°C.

Ice bank capacity: 1 kg.

Cooling sparkling: R290.

Compressor power: 155 W.

Heater power: 1200 W.

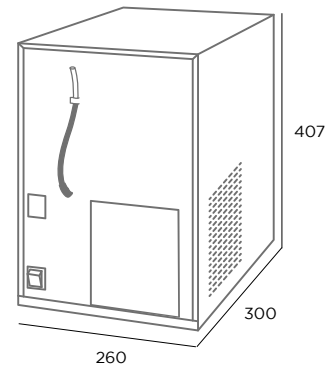
Tank volume agua Hot: 1 l.

Water inlet connection: 8 mm.

Inlet connection CO₂: 6 mm.

Materials: Steel.

Weight: 15 Kg.



Room



Cold



Sparkling



Hot



Room water

Cold water

Sparkling water

HD 520 FAG
Series

Gama HD 520 range

Cold, room temperature, and sparkling water system.

15 lph
Production



Electronical



Dispensing system of 3 types of water: cold, hot and room temperature or sparkling. Operating controls protected against water and moisture.

It consists of a 3-way DRUWE electronic faucet in satin stainless steel, with a hot water lock. Includes a cold, gas, room temperature, hot unit (depending on model). Accessories for installation and assembly.

SPECIFICATIONS:

Cold water production: 15 l/h. Continuous production: 3 l.

**Hot water production: 13 l/h.

Cold water temperature: 3 - 10 °C.

**Hot water temperature: 95°C.

Ice bank capacity: 1 kg.

Cooling sparkling: R290.

Compressor power: 155 W.

**Heater power: 1200 W.

**Tank volume agua Hot: 1 l.

Water inlet connection: 8 mm.

Inlet connection CO₂: 6 mm.

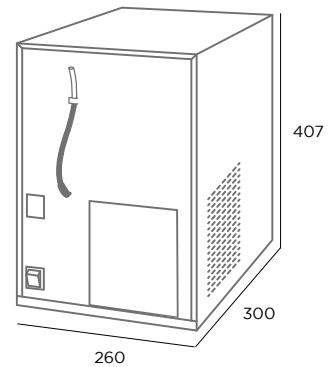
Materials: Steel.

Weight: 15 Kg.

*Includes pressure reducer CO₂

*Only models HD520/HD530

**Only models HD530/HD535



Room



Cold



Sparkling



Hot

980860 HD 520 FAG



980861 HD 530 FGC



980862 HD 535 FAC





HD 550 FAGC
Series

HD 550 FAGC range

Cold, room temperature,
and sparkling water
system.

15 lph
Production



Electronical



Dispensing system of 4 types of water: cold, room temperature, hot and sparkling.

It consists of a 4-way DRUWE faucet in high quality satin stainless steel. Operating controls protected against water and moisture.

With hot water insurance

Includes a cold, sparkling, hot, room temperature. Accessories for installation and assembly.

SPECIFICATIONS:

Cold water production: 15 l/h. Continuous production: 3 l.

Hot water production: 13 l/h.

Cold water temperature: 3 - 10 °C.

Hot water temperature: 95°C.

Ice bank capacity: 1 kg.

Cooling sparkling: R290.

Compressor power: 155 W.

Heater power: 1200 W.

Tank volume agua Hot: 1 l.

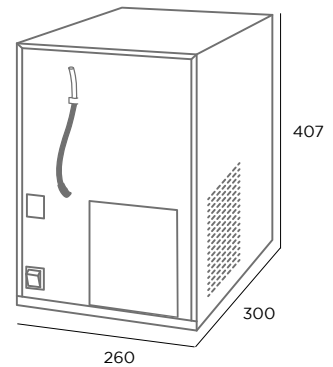
Water inlet connection: 8 mm.

Inlet connection CO₂: 6 mm.

Materials: Steel.

Weight: 15 Kg.

Includes pressure reducer CO₂



Room



Cold



Sparkling



Hot



HD 500/510
Series

HD 500/510/515 range

Cold, hot, and room temperature or sparkling water.

15 lph
Production

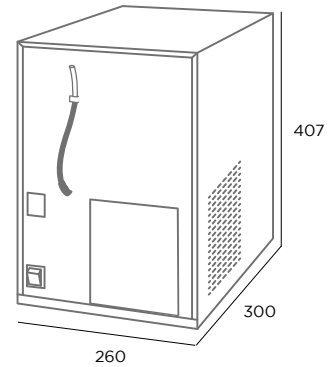


Dispensing system of 3 types of water: cold, hot, and room temperature or sparkling (left control). In addition to sanitary, room temperature, and hot water (right control).

It consists of a 5-way AWA faucet in high-quality satin stainless steel with a hot water opening lock and a cold, heat, room temperature or sparkling unit. Accessories for installation and assembly. Ideal system for homes, offices, and dining rooms.

SPECIFICATIONS:

- Cold water production: 15 l/h
- Continuous production: 3 l.
- **Hot water production: 13 l/h.
- Cold water temperature: 3 - 10 °C.
- **Temperature agua Hot: 95°C.
- Ice bank capacity: 1 kg.
- Cooling sparkling: R290.
- Compressor power: 155 W.
- **Heater power: 1200 W.
- **Hot water tank capacity: 1 l.
- Water inlet connection: 8 mm.
- Inlet connection CO₂: 6 mm.
- Materials: Steel.
- Weight: 15 Kg.
- *Pressure reducer CO₂



*Only models HD510/HD515

**Only models HD500/HD510



		Room	Cold	Sparkling	Hot
980857	HD 500 FAC	•	•		•
980858	HD 510 FGC		•	•	•
980859	HD 515 FAG	•	•	•	

DRUWE Touchless electronic faucet

1-way Simple-lever faucet for household and HORECA use.

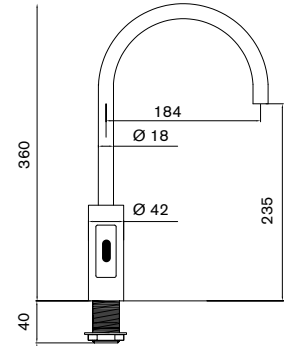


Touchless

The ideal system to avoid using your hands when opening and closing.

Its easy and comfortable use will be activated when we approach a container and will be disconnected when removing it.

Not suitable for hot water.



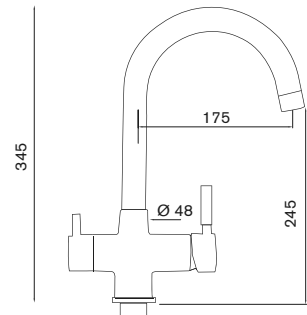
980866 DRUWE 1-way touchless faucet

AWA Simple lever faucet

Manual 5-way faucet in satin stainless steel for household and HORECA use.



Faucet with 2 levers. The right one operates the sanitary water (cold-hot), and the left one operates the room temperature-cold-sparkling or cold, hot and sparkling water. With security system for hot water.



Room



Cold



Sparkling



Hot

980751 AWA FGC Faucet

• • •

980735 AWA FAG Faucet

• • •

DRUWE 3/4-way electronic faucet

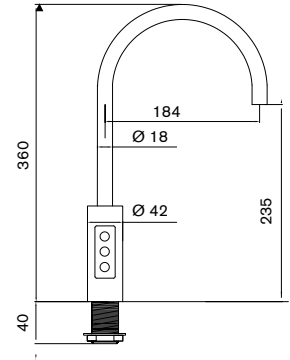
Chrome plated 3/4-way manual faucet for household and HORECA use.



Electronic

Faucet with electronic pulsation system with anti-humidity protection membranes.

Designed for the supply of cold, hot, room temperature, and sparkling water.



Room



Cold



Sparkling



Hot

980731	DRUWE 3-way FAG faucet	•	•	•	
980732	DRUWE 3-way FGC faucet		•	•	•
980867	DRUWE 4-way FAGC faucet	•	•	•	•

HUPER 3/4-way Simple lever faucet

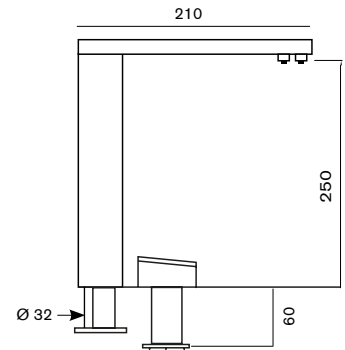


3/4-way chrome plated electronic faucet with black finish top cover.



Touch-sensitive

This Premium model consists of 2 independent parts, the dispenser, and the electronic control. It has the possibility of 4 types of water with a security system for hot water.



Room



Cold



Sparkling



Hot

980734	HUPER 3-way FAG faucet	•	•	•	
980733	HUPER 4-way FGC faucet	•	•	•	•



Lógico Aqua filtration Systems



Lógico Aqua Premium UF 12 double

System with filtration and ultrafiltration cartridge. Suitable for HF|HG 30-45 equipment.



Filtering set for low conductivity water.

SPECIFICATIONS:

Flow: 4 l/min.
Filtering capacity a 1 PPM of chlorine: 6.000 l.

SPECIFICATIONS:

1 x Lógico Aqua 1750 Filtration.
1 x Lógico Aqua Premium ultrafiltration plus activated carbon 12.
1 x Lógico Aqua double head.
1 x Pressure regulator.
1 x Digital down counter.
1 x Assembly accessories.
Connected to \varnothing 3/8" pipe.

980306 Lógico Aqua UF 12 double filtration set

Lógico Aqua Premium UF 12 triple

System with filtration and ultrafiltration cartridge. Suitable for HF/HG 65-80-120-180 equipment.



Filtering set for low conductivity water.

SPECIFICATIONS:

Flow: 8 l/min.
Filtering capacity a 1 PPM of chlorine: 12.000 l.

SPECIFICATIONS:

1 x Lógico Aqua 1750 Filtration.
2 x Lógico Aqua Premium ultrafiltration plus activated carbon 12.
1 x Lógico Aqua triple head.
1 x Pressure regulator.
1 x Digital down counter.
1 x Assembly accessories.

Connected to \varnothing 3/8" pipe.

980307 Lógico Aqua UF 12 triple filtration set

Lógico Aqua Premium filtration UF 12 triple



Filtering set for low conductivity water.

System with filtration cartridge, carbon and ultrafiltration. Suitable for HF | HG 30-45 equipment.

SPECIFICATIONS:

Flow: 4 l/min.
Filtering capacity a 1 PPM of chlorine: 18.000 l.

SPECIFICATIONS:

1 x Lógico Aqua 1750 Filtration.
1 x Lógico Aqua Premium activated carbon Block 12.
1 x Lógico Aqua Premium ultrafiltration activated carbon 12.
1 x Lógico Aqua triple head.
1 x Pressure regulator
1 x Digital down counter
1 x Assembly accessories

Connected to \varnothing 3/8" pipe.

980308 Lógico Aqua Premium UF 12 triple filtration set

Lógico Aqua Premium filtration UF 12 triple



Filtering set for low conductivity water.

System with filtration cartridge, carbon and ultrafiltration. Suitable for HF / HG 65-80-120-180 equipment.

SPECIFICATIONS:

Flow: 8 l/min.
Filtering capacity a 1 PPM of chlorine: 47.000 l.

SPECIFICATIONS:

1 x Lógico Aqua 1750 Filtration.
1 x Lógico Aqua Premium activated carbon 17".
2 x Lógico Aqua Premium ultrafiltration plus activated carbon 12.
1 x Lógico Aqua triple head.
1 x Pressure regulator.
1 x Digital down counter.
1 x Assembly accessories.
1 x Simple head.

Connected to \varnothing 3/8" pipe.

980309 Lógico Aqua Premium UF 12 triple ultrafiltration set

Lógico Aqua Premium filtration UF 17 double



System with filtration and ultrafiltration cartridge. Suitable for HF|HG 30-45 equipment.

SPECIFICATIONS:

Flow: 6,5 l/min.
Filtering capacity a 1 PPM of chlorine: 12.000 l.

SPECIFICATIONS:

1 x Lógico Aqua F1750 Filtration.
1 x Lógico Aqua Premium ultrafiltration plus activated carbon 17.
1 x Lógico Aqua double head.
1 x Pressure regulator.
1 x Digital down counter.
1 x Assembly accessories.

Connected to \varnothing 3/8" pipe.

Filtering set for low conductivity water.

980693 Conjunto de filtration Lógico Aqua Premium UF 17 double

Lógico Aqua Premium filtration UF 17 triple



System with filtration and ultrafiltration cartridge. Suitable for HF/HG 65-80-120-180 equipment.

SPECIFICATIONS:

Flow: 13 l/min.
Filtering capacity a 1 PPM of chlorine: 24.000 l.

SPECIFICATIONS:

1 x Lógico Aqua 1750 Filtration.
2 x Lógico Aqua Premium ultrafiltration plus activated carbon 17.
1 x Lógico Aqua triple head.
1 x Pressure regulator.
1 x Digital down counter.
1 x Assembly accessories.

Connected to \varnothing 3/8" pipe.

Filtering set for low conductivity water.

980694 Lógico Aqua Premium UF 17 triple filtration set

Lógico Aqua Premium 12 double



System with filtration cartridge, carbon and ultrafiltration. Suitable for HF / HG 65-80-120-180 equipment.

SPECIFICATIONS:

Flow: 4 l/min.
Filtering capacity a 1 PPM of chlorine: 12.000 l.

SPECIFICATIONS:

1 x Lógico Aqua 1750 Filtration
1 x Lógico Aqua Premium activated carbon 12.
1 x Lógico Aqua double head
1 x Pressure regulator.
1 x Digital down counter.
1 x Assembly accessories.

Connected to \varnothing 3/8" pipe.

Filtering set for low conductivity water.

980150

Lógico Aqua Premium 12 double filtration set

Triple Lógico Aqua Premium 12



System with cartridge filtration and carbon. Suitable for HF | HG 65-80-120-180 equipment.

SPECIFICATIONS:

Flow: 8 l/min.
Filtering capacity a 1 PPM of chlorine: 24.000 l.

SPECIFICATIONS:

1 x Lógico Aqua 1750 Filtration
2 x Lógico Aqua Premium activated carbon 12.
1 x Lógico Aqua triple head.
1 x Pressure regulator.
1 x Digital down counter.
1 x Assembly accessories.

Connected to \varnothing 3/8" pipe.

Filtering set for low conductivity water.

980151

Lógico Aqua Premium 12 triple filtration set

Lógico Aqua Premium 17 double



System with filtration cartridge and carbon. Suitable for HF | HG 55-65-80 equipment.

SPECIFICATIONS:

Flow: 6,5 l/min.
Filtering capacity a 1 PPM of chlorine: 35.000 l.

SPECIFICATIONS:

1 x Lógico Aqua 1750 Filtration
1 x Lógico Aqua Premium carbón Block 17.
1 x Lógico Aqua double head.
1 x Pressure regulator.
1 x Digital down counter.
1 x Assembly accessories.

Connected to \varnothing 3/8" pipe.

Filtering set for low conductivity water.

980233 Lógico Aqua Premium 17 double filtration set

Lógico Aqua Premium 17 triple



System with filtration cartridge and carbon. Suitable for HF|HG 120-180 equipment.

SPECIFICATIONS:

Flow: 13 l/min.
Filtering capacity a 1 PPM of chlorine: 70.000 l.

SPECIFICATIONS:

1 x Lógico Aqua 1750 Filtration.
2 x Lógico Aqua Premium carbón Block 17.
1 x Lógico Aqua triple head.
1 x Pressure regulator.
1 x Digital down counter.
1 x Assembly accessories.

Connected to \varnothing 3/8" pipe.

Filtering set for low conductivity water.

980234 Lógico Aqua Premium 17 triple filtration set

Lógico Aqua Premium filtration UF 17 triple



Filtering set for low conductivity water.

System with filtration cartridge, carbon and ultrafiltration. Suitable for HF|HG 55-65-80 equipment.

SPECIFICATIONS:

Flow: 6,5 l/min.
Filtering capacity a 1 PPM of chlorine: 47.000 l.

SPECIFICATIONS:

1 x Lógico Aqua 1750 Filtration.
1 x Lógico Aqua Premium activated carbon 17.
1 x Lógico Aqua Premium ultrafiltration plus activated carbon 17.
1 x Lógico Aqua triple head.
1 x Pressure regulator.
1 x Digital down counter.
1 x Assembly accessories.

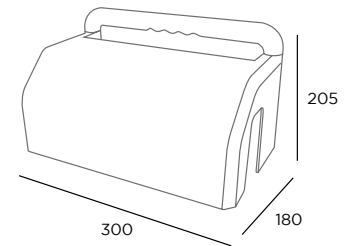
Connected to \varnothing 3/8" pipe.

Double and triple head for filtration sets

Assembly filtration system.

SPECIFICATIONS:

Modular filtration system for applications in the Horeca and residential channel. Operation in series, in for 1l1 or combined 1+2. Suitable for Lógico Aqua activated carbon cartridges, polypropylene, and ultrafiltration of 8", 12" and 17".



Assembly examples

980354	Lógico Aqua double head in series
980356	Lógico Aqua double head in for 1l1
980355	Lógico Aqua triple head in series
980358	Lógico Aqua triple head in for 1l1
980360	Lógico Aqua triple head combined 1+2

Lógico Aqua spare parts

SPECIFICATIONS:

Replacement Lógico Aqua Premium 12 activated carbon block filter that eliminates flavours and odours. Filtering capacity: 12,000 l.



ACTIVATED CARBON

SPECIFICATIONS:

Replacement Lógico Aqua Premium 17 activated carbon block filter that eliminates flavours and odours. Filtering capacity: 35,000 l.



ACTIVATED CARBON

980203 Lógico Aqua Premium 12 Replacement Filter

980204 Recambio filtro Lógico Aqua Premium 17

Lógico Aqua Premium UF 12 replacement



SPECIFICATIONS:

Lógico Aqua Premium UF 12 activated carbon block cartridge replacement that eliminates tastes and odors. It retains microorganisms such as viruses and bacteria. Filtration capacity: 6.000 l.

ACTIVATED CARBON + ULTRAFILTRATION



SPECIFICATIONS:

Lógico Aqua Premium UF 17 activated carbon block cartridge replacement that eliminates tastes and odors. It retains microorganisms such as viruses and bacteria. Filtration capacity: 12,000 l.

ACTIVATED CARBON + ULTRAFILTRATION

980257 Lógico Aqua Premium UF 12 Filter Replacement

980544 Lógico Aqua Premium 17 Filter Replacement

Lógico Aqua Premium replacement



SPECIFICATIONS:

Replacement Lógico 1750 PP filter for the filtration of 50 micron sediments.

FILTRATION

980336 Lógico Aqua 17 50 microns replacement filter

Simple Lógico Aqua filter head



SPECIFICATIONS:

Simple Lógico Aqua filter head made of Stainless steel. F3/8" connection.

980149 Lógico Aqua filter head



Lógico Aqua PRO



The most environmentally friendly filtration system for HORECA environmentally friendly. Reusable containers, less plastic, more economical, more environmentally friendly.



Simple Kit Lógico Aqua Pro 13''



Polypropylene cartridge system.

SPECIFICATIONS:

Flow: 4 l/min.
 Filtering capacity:
 25.000 l
 Inlet connection-outlet: 3/4"

SPECIFICATIONS:

1 x Lógico Aqua Pro PP 13'' 5 microns.
 1 x Simple Head Lógico Aqua Pro.
 1 x Assembly accessories.



980832 Simple filtration set Lógico Aqua Pro PP 13

Simple Kit Lógico Aqua Pro 13''



Bacteriostatic carbon fibre cartridge
 bacteriostatic fibre cartridge.

SPECIFICATIONS:

Flow: 4 l/min.
 Filtering capacity a 1 ppm of chlorine:
 25.000 l
 Inlet connection-outlet: 3/4"

SPECIFICATIONS:

1 x Lógico Aqua Pro carbon fibre
 bacteriostatic 13.
 1 x Simple Head Lógico Aqua Pro.
 1 x Assembly accessories.



980833 Simple filtration set Lógico Aqua Pro carbon fibre 13

Simple Kit Lógico Aqua Pro 13"



Ultrafiltration cartridge system.

SPECIFICATIONS:

Flow: 4 l/min.
 Filtering capacity:
 25.000 l
 Inlet connection-outlet: 3/4"



SPECIFICATIONS:

1 x Lógico Aqua Pro UF 13.
 1 x Simple Head Lógico Aqua Pro.
 1 x Assembly accessories.

980834 Simple filtration set Lógico Aqua Pro UF 13

Double Kit Lógico Aqua Pro 13"



System with filtration cartridge and bacteriostatic carbon fibre bacteriostatic fibre.

SPECIFICATIONS:

Flow: 4 l/min.
 Filtering capacity a 1 ppm
 of chlorine: 25.000 l
 Inlet connection-outlet: 3/4"



SPECIFICATIONS:

1 x Lógico Aqua Pro filtration 135.
 1 x Lógico Aqua Pro carbon fibre
 bacteriostatic 13.
 1 x Double Head Lógico Aqua Pro.
 1 x Assembly accessories.

980819 Double filtration set Lógico Aqua Pro PP carbon fibre 13

Double Kit Lógico Aqua Pro 13"



Carbon cartridge system bacteriostatic fibre.

SPECIFICATIONS:

Flow: 8 l/min.
 Filtering capacity a 1 ppm of chlorine:
 50.000 l
 Inlet connection-outlet: 3/4"



SPECIFICATIONS:

2 x Lógico Aqua Pro carbon fibre bacteriostatic 13.
 1 x Double Head Lógico Aqua Pro.
 1 x Assembly accessories.

980821 Double filtration set Lógico Aqua Pro PP 2 carbon fibre 13

Triple Kit Lógico Aqua Pro 13"



Cartridge filtration system and carbon fibre bacteriostatic.

SPECIFICATIONS:

Flow: 8 l/min.
 Filtering capacity a 1 ppm
 of chlorine: 50.000 l
 Inlet connection-outlet: 3/4"



Specifications:

1 x Lógico Aqua Pro filtration 135.
 2 x Lógico Aqua Pro carbon fibre bacteriostatic 13.
 1 x Triple Head Lógico Aqua Pro.
 1 x Assembly accessories.

980820 Triple filtration set Lógico Aqua Pro PP carbon fibre 13

Triple Kit Lógico Aqua Pro 13''



Bacteriostatic carbon fibre cartridge cartridge and UF.

SPECIFICATIONS:

Flow: 4 l/min.
 Filtering capacity a 1 ppm of chlorine:
 50.000 l
 Inlet connection-outlet: 3/4"



SPECIFICATIONS:

1 x Lógico Aqua Pro filtration 135.
 1 x Lógico Aqua Pro carbon fibre bacteriostatic 13.
 1 x Lógico Aqua Pro UF 13.
 1 x HeadLógico Aqua Pro triple.
 1 x Assembly accessories.

980822 Triple filtration filtration set Lógico Aqua Pro PP carbon fibre UF 13

Quadruple Kit Lógico Aqua Pro 13''



Bacteriostatic carbon fibre and ultrafiltration bacteriostatic fibre and ultrafiltration.

SPECIFICATIONS:

Flow: 4 l/min.
 Filtering capacity a 1 ppm of chlorine: 50.000 l
 Inlet connection-outlet: 3/4"



SPECIFICATIONS:

1 x Lógico Aqua Pro filtration 13.
 1 x Lógico Aqua Pro carbon fibre bacteriostatic 13.
 2 x Lógico Aqua Pro UF 13.
 1 x Quadruple Head Lógico Aqua Pro.
 1 x Assembly accessories.

980823 Quadruple filtration set Lógico Aqua Pro PP carbon 2 UF 13

Simple Kit Lógico Aqua Pro 21"



System with polypropylene polypropylene cartridge.

SPECIFICATIONS:

Flow: 6.5 l/min.
 Filtering capacity:
 50.000 l
 Inlet connection-outlet: 3/4"

1 x Lógico Aqua Pro PP 21" 5 microns.
 1 x Simple Head Lógico Aqua Pro.
 1 x Assembly accessories.



980835 Simple filtration set Lógico Aqua Pro PP 21

Simple Kit Lógico Aqua Pro 21" simple



Bacteriostatic carbon fibre cartridge
 bacteriostatic fibre cartridge.

SPECIFICATIONS:

Flow: 6.5 l/min.
 Filtering capacity a 1 ppm
 of chlorine: 50.000 l
 Inlet connection-outlet: 3/4"

1 x Lógico Aqua Pro carbon fibre
 bacteriostatic 21.
 1 x Simple Head Lógico Aqua Pro
 1 x Assembly accessories.



980836 Simple filtration set Lógico Aqua Pro carbon fibre 21

Simple Kit Lógico Aqua Pro 21"



Ultrafiltration cartridge system.

SPECIFICATIONS:

Flow: 6.5 l/min.
 Filtering capacity:
 45.000 l
 Inlet connection-outlet: 3/4"

1 x Lógico Aqua Pro UF 21.
 1 x Simple Head Lógico Aqua Pro.
 1 x Assembly accessories.



980837 Simple filtration set Lógico Aqua Pro PP 21

Double Kit Lógico Aqua Pro 21"



Cartridge filtration system and carbon fibre bacteriostatic.

SPECIFICATIONS:

Flow: 6.5 l/min.
 Filtering capacity a 1 ppm of chlorine:
 50.000 l
 Inlet connection-outlet: 3/4"

1 x Lógico Aqua Pro filtration 21 .
 1 x Lógico Aqua Pro carbon fibre
 bacteriostatic 21.
 1 x Double Head Lógico Aqua Pro.
 1 x Assembly accessories.



980824 Double filtration set Lógico Aqua Pro PP carbon fibre 21

Double Kit Lógico Aqua Pro 21"



Bacteriostatic carbon fibre cartridge system.

SPECIFICATIONS:

Flow: 13 l/min.
 Filtering capacity a 1 ppm
 of chlorine: 100.000 l
 Inlet connection-outlet: 3/4"

2 x Lógico Aqua Pro carbon fibre
 bacteriostatic 21.
 1 x Double Head Lógico Aqua Pro.
 1 x Assembly accessories.



980829 Double filtration set Lógico Aqua Pro 2 carbon fibre 21

Triple Kit Lógico Aqua Pro 21"



Bacteriostatic carbon fibre cartridge system.

SPECIFICATIONS:

Flow: 13 l/min.
 Filtering capacity a 1 ppm
 of chlorine: 100.000 l
 Inlet connection-outlet: 3/4"

1 x Lógico Aqua Pro filtration 215.
 2 x Lógico Aqua Pro carbon fibre
 bacteriostatic 21.
 1 x Triple Head Lógico Aqua Pro.
 1 x Assembly accessories.



980825 Triple filtration set Lógico Aqua Pro PP 2 carbon fibre 21

Triple Kit Lógico Aqua Pro 21"



Cartridge filtration system
carbon fibre bacteriostatic and ultrafiltration cartridges.

SPECIFICATIONS:

Flow: 4 l/min.
Filtering capacity a 1 ppm
of chlorine: 50.000 l
Inlet connection-outlet: 3/4"

1 x Lógico Aqua Pro filtration 21.
1 x Lógico Aqua Pro carbon fibre
bacteriostatic 21.
1 x Lógico Aqua Pro UF 17.
1 x Triple Head Lógico Aqua Pro.
1 x Lógico Aqua Pro triple.
1 x Assembly accessories.



980827 Triple filtration set Lógico Aqua Pro PP carbon UF 21

Kit Lógico Aqua Pro 21" cuádruple



Cartridge filtration system
carbon fibre bacteriostatic cartridge.

SPECIFICATIONS:

Flow: 19.5 l/min.
Filtering capacity a 1 ppm
of chlorine: 150.000 l
Inlet connection-outlet: 3/4"

1 x Lógico Aqua Pro filtration 21.
3 x Lógico Aqua Pro carbon fibre
bacteriostatic 21.
1 x Quadruple Head Lógico Aqua Pro.
1 x Assembly accessories.



980826 Quadruple filtration set Lógico Aqua Pro PP 3 carbon fibre 21

Quadruple Kit Lógico Aqua Pro 21"



System with bacteriostatic carbon fibre cartridge and ultrafiltration.

SPECIFICATIONS:

Flow: 13 l/min.
 Filtering capacity a 1 ppm of chlorine: 75.000 l
 Inlet connection-outlet: 3/4"

1 x Lógico Aqua Pro filtration 21" .
 1 x Lógico Aqua Pro carbon fibre bacteriostatic 21.
 2 x Lógico Aqua Pro UF 21.
 1 x Head Lógico Aqua Pro cuádruple.
 1 x Assembly accessories.



980828 Quadruple filtration set Lógico Aqua Pro PP carbon 2 UF 21

Heads Lógico Aqua Pro



980813	Simple Head inlet connection 3/4 outlet 3/4
980814	Double Head in series inlet connection 3/4 outlet 3/4
980815	Triple Head in series inlet connection 3/4 outlet 3/4
980816	Triple 1 serie + 2 for 1l1l entrada 3/4" outlet 3/4"
980817	Quadruple Head 1 series + 1 series + 2 for 1l1l inlet 3/4" outlet 3/4"
980818	Quadruple Head 1 series + 3 for 1l1l inlet 3/4" outlet 3/4"

Lógico Aqua Pro 13" internal spare part



Polypropylene filtering interior refill
5 microns 13".

980807 Lógico Aqua Pro 13" filtration 5 microns internal spare part

Lógico Aqua Pro 13" internal spare part



Bacteriostatic carbon fibre bacteriostatic inner
refill 13".

980808 Lógico Aqua Pro 13" carbon fibre internal spare part

Lógico Aqua Pro 13" internal spare part

Ultrafiltration inner refill 13".



980809 Lógico Aqua Pro 13" ultrafiltration internal spare part

Lógico Aqua Pro 21" internal spare part

Polypropylene filtering interior refill
5 microns 21".



980810 Lógico Aqua Pro 21" filtration 5 microns internal spare part

Lógico Aqua Pro 21" internal spare part



Bacteriostatic carbon fibre bacteriostatic inner refill 21".

Tarifa

980811 Lógico Aqua Pro 21" carbon fibre internal spare part

C

Lógico Aqua Pro 21" internal spare part



Ultrafiltration inner refill 21".

Tarifa

980812 Lógico Aqua Pro 13" ultrafiltration internal spare part

C

Lógico Aqua Pro 13" cartridge

Polypropylene filtration cartridge 5 microns 13".
Filtering capacity: 25.000 l.



980800 Lógico Aqua Pro 13" filtration cartridge

Lógico Aqua Pro 13" cartridge

Bacteriostatic carbon fibre 13" cartridge.
Filtering capacity: 25.000 l.



980801 Lógico Aqua Pro 13" carbon fibre cartridge

Lógico Aqua Pro 13" cartridge

Ultrafiltration cartridge 13".
Filtering capacity: 25.000 l.



980802 Lógico Aqua Pro 13" ultrafiltration cartridge

Lógico Aqua Pro 21" cartridge

Polypropylene filtration cartridge 5 microns 13".
Filtering capacity: 25.000 l.



980803 Lógico Aqua Pro 21" filtration cartridge

Lógico Aqua Pro 21" cartridge



21" carbon fibre cartridge bacteriostatic.
Filtering capacity: 50.000 l.

980804 Lógico Aqua Pro 21" carbon fibre cartridge

Lógico Aqua Pro 21" cartridge



Ultrafiltration cartridge 21".
Filtering capacity: 50.000 l.

980805 Lógico Aqua Pro 21" ultrafiltration cartridge

Lógico Aqua Pro opening key



980839

Lógico Aqua Pro opening key

Lógico Aqua Pro KIT Bypass



Optional Accessories Kit for bypass installation as a set Logic Aqua Pro.
Opening key Logic Aqua Pro.

SPECIFICATIONS:

2 x Ball valve 3/8".
2 x Te de 3/8".
1 x Tube 3/8".

980870

Kit Bypass Lógico Aqua Pro



Reverse osmosis



Horeca 500 osmosis kit



SPECIFICATIONS:

Suitable for CS 20, HG, and HF 45/55 equipment. Include

: C-500 RO osmosis equipment with pump, 400 GPD membrane, and lacquered galvanized cover.

3 10" white cartridge holders. 10" pressed polypropylene 5 Qm prefilter.

10" GAC carbon cartridge. 10" block carbon cartridge. Greenfilter 400 GPD reverse osmosis membrane.

1500 cc restrictor, flap valve. Drain ring.

Adapter with ball valve for inlet water. Booster pump.

36 VDC transformer.

Minimum pressure switch. Maximum pressure switch. 36VDC solenoid valve.

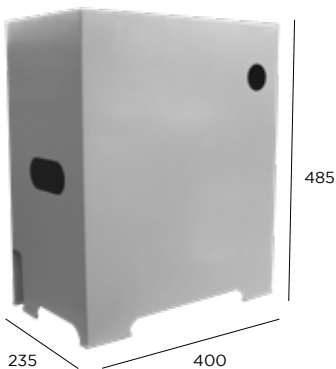
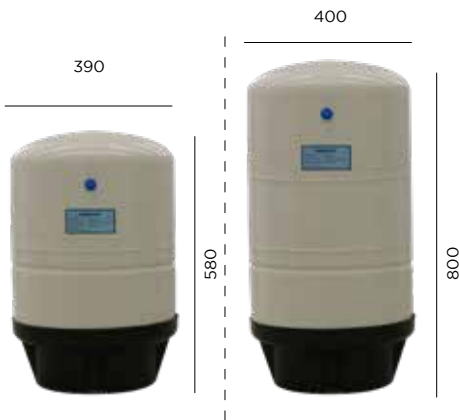
COMPONENTS INCLUDED:

Tanks:

11 gal. (41 l) or 20 gal. (75 l) Lógico Aqua Premium Filter or Lógico Aqua Premium UF 12 Filter.

Accessories for installation. Lógico Aqua Head.

Water discounter. Pressure regulator.



980319	Horeca 500 Kit. with a deposit of 11 gal. + Lógico Aqua Premium 12
980320	Horeca 500 Kit. with a deposit of 11 gal. + Lógico Aqua Premium UF 12
980321	Horeca 500 Kit. with a deposit of 20 gal. + Lógico Aqua Premium 12
980322	Horeca 500 Kit. with a deposit of 20 gal. + Lógico Aqua Premium UF 12

RO Horeca 600 Kit



SPECIFICATIONS:

Suitable for HG and HF equipment 55/65/120. Include:

CP-600 osmosis equipment with pump and 3 membranes of 180 GPD:

17" pressed polypropylene bayonet pre-filter with 5 Qm.

17" 2 GAC bayonet carbon cartridges. 17" bayonet cartridge with 1 Qm.

3 180 GPD Greenfilter encapsulated membranes.

2000 cc restrictor, flap valve. Drain ring.

Adapter with ball valve for inlet water. Booster pump. 24 VDC transformer.

Minimum pressure switch. Maximum pressure

COMPONENTS INCLUDED:

Tanks:

11 gal. (41 l) or 20 gal. (75 l) Lógico Aqua Premium Filter or Lógico Aqua Premium UF 12 Filter. Accessories for installation. Lógico Aqua Head. Water discounter. Pressure regulator.



980323	Horeca 600 l Kit. with a deposit of 11 gal. + Lógico Aqua Premium 12
980324	Horeca 600 l Kit. with a deposit of 11 gal. + Lógico Aqua Premium UF 12
980325	Horeca 600 l Kit. with a deposit of 20 gal. + Lógico Aqua Premium 12
980326	Horeca 600 l Kit. with a deposit of 20 gal. + Lógico Aqua Premium UF 12

Horeca 700 osmosis kit



SPECIFICATIONS:

Suitable for HG and HF
45/55/65/120 equipment.
Include:

RO C-700 osmosis equipment with pump, 600 GPD membrane and lacquered galvanized cover.

3 10" white cartridge holders.
10" pressed polypropylene 5 Qm prefilter.

10" GAC carbon cartridge. 10" block carbon cartridge. 600 GPD

Greenfilter membrane.
1500 cc restrictor, flap valve. Drain ring.

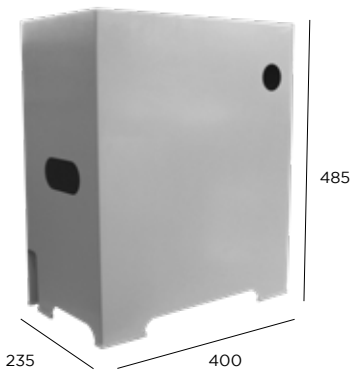
Adapter with ball valve for inlet water. Booster pump. 36 VDC transformer.
Minimum pressure switch.
Maximum pressure switch.

36 VDC solenoid valve.

COMPONENTS INCLUDED:

Tanks:

20 gal. (75 l) or 30 gal. (113 l)
Lógico Aqua Premium Filter or Lógico Aqua Premium UF 12 Filter.
Accessories for installation.
Lógico Aqua Head.
Water discounter. Pressure regulator.



980327	Horeca 700 I Kit. with a deposit of 20 gal. + Lógico Aqua Premium 12
980328	Horeca 700 I Kit. with a deposit of 20 gal. + Lógico Aqua Premium UF 12
980329	Horeca 700 I Kit. with a deposit of 30 gal. + Lógico Aqua Premium 12
980330	Horeca 700 I Kit. with a deposit of 30 gal. + Lógico Aqua Premium UF 12

Horeca 1200 osmosis kit



SPECIFICATIONS:

Suitable for HG and HF equipment 180. Include:

RO C-1200 osmosis equipment with pump and 2 membranes of

600 GPD: 3 20" cartridge holders. 20" pressed polypropylene 5 Qm prefilter.

20" GAC carbon cartridge.

20" block carbon cartridge.

2 600 GPD Greenfilter membranes

2000 cc restrictor, flap valve, drain ring.

Adapter with ball valve for inlet water. Booster pump.

24 VDC transformer.

Minimum pressure switch. Maximum pressure switch.

24VDC solenoid valve..

COMPONENTS INCLUDED:

Tanks:

30 gal. (113 l) or 40 gal. (150 l)
 Lógico Aqua Premium 17 Filter or Lógico Aqua Premium UF 12 Filter.
 Accessories for installation.
 Lógico Aqua Head.
 Water discounter.
 Pressure regulator.



980331	Horeca 1200 I Kit. with a deposit of 30 gal. + Lógico Aqua Premium 17
980332	Horeca 1200 I Kit. with a deposit of 30 gal. + Lógico Aqua Premium UF 12
980333	Horeca 1200 I Kit. with a deposit of 40 gal. + Lógico Aqua Premium 17
980334	Horeca 1200 I Kit. with a deposit of 40 gal. + Lógico Aqua Premium UF 12

2000 GPD Columbia Aqua commercial osmosis



Equipment designed to supply osmotic water of low mineralization.

SPECIFICATIONS:

Minimum pressure switch. Maximum pressure switch.
 Brass solenoid valve.
 3 17" Aqua Premium Lógico Aqua filters. Rotary vane pump in brass.
 600 l/h.
 2 TFC membranes of 1000 GPD.

Automatic post-washing system with osmotic water

Rejection flow limiter. 2 Pressure gauges (net and pump).

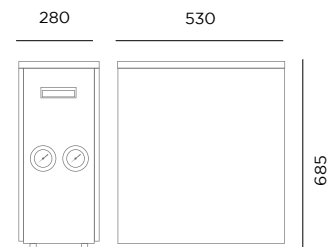
Structure and side panels in stainless steel.

2 handles for easy handling. Osmotic water production: 270 l/h. Max. production recommended 4000 l/day

Pressure gauges: 1 inlet pressure gauge and 1 pump pressure gauge.
 Leak protection: AQUASTOP system with leak sensor (optional).
 Self-cleaning: Post washing with osmotic water.

COMPONENTS INCLUDED:

Tanks:
 11 gal. (41 l) or 20 gal. (75 l) or 30 gal. (113 l) or 40 gal. (150 l).
 Lógico Aqua Premium 17 Filter or Lógico Aqua Premium UF 12 Filter.
 Accessories for installation.
 Lógico Aqua Head. Water discounter.



980696	Commercial RO 2000G + Pressurized tank 11 gal. + Lógico Aqua Premium 17
980697	Commercial RO 2000G + Pressurized tank 20 gal. + Lógico Aqua Premium 17
980698	Commercial RO 2000G + Pressurized tank 30 gal. + Lógico Aqua Premium 17
980699	Commercial RO 2000G + Pressurized tank 40 gal. + Lógico Aqua Premium 17
980700	Commercial RO 2000G + Open tank 120 l. + CHCF 240 pressure group
980701	Commercial RO 2000G + Open tank 200 l. + CHCF 240 pressure group





Accessories and spare parts for installation



Water discounter with alarm



SPECIFICATIONS:

Electronic water discounter with 3/8" M connections.

755300 Contador de agua electrónico con alarma

Black PE pipe



SPECIFICATIONS:

Black PE pipe for installation in different diameters.

952543 2.5mm x 4mm black PE pipe

952534 4mm x 6mm black PE pipe

952553 6mm x 8mm black PE pipe

Starfit straight joint



SPECIFICATIONS:

Straight joint quick-conec for installation in different diameters.

950737 4 mm quick connect straight joint

950741 6 mm quick connect straight joint

950745 8 mm quick connect straight joint

Starfit Reduced union



SPECIFICATIONS:

Reduced straight joint quick-connect.

950744 Quick-connect straight joint pipe
8 mm - 6 mm

950739 Quick-connect straight joint pipe
6 mm - 4 mm

950705 Quick-connect straight joint pipe
3/8" mm - 5/16" mm

Quick-connect elbow Starfit



SPECIFICATIONS:

Black quick-connect elbow.

950037 Elbow quick-connect 6 mm pipe

950006 Elbow quick-connect 8 mm pipe

H 3/4" adapter - 8 mm pipe



SPECIFICATIONS:

3/4" female thread adapter - 8 mm pipe.

950977 H 3/4" adapter - 8 mm pipe

950975 H 3/8" adapter - 3/8" mm pipe

950973 H 3/4" adapter - 1/4" mm pipe

M adapter - 8 mm pipe - thread



SPECIFICATIONS:

Male thread 3/8" adapter - 8 mm pipe.

950378 M 3/8 adapter - 8mm pipe

Same T



SPECIFICATIONS:

Same T connector.

950621 Same T 4 mm

950623 Same T 6 mm

950601 Same T 8 mm

Ball valve / pipe



SPECIFICATIONS:

Ball valve for installation.

952320 Same ball valve 6 mm

952321 Same ball valve 8 mm

Pressure regulator



SPECIFICATIONS:

Quick-connect pressure regulator.

980118 Metal pressure regulator 3/8"

Columbia Soda CO₂ Regulator



SPECIFICATIONS:

CO₂ regulator for Simple-use bottles, Columbia Soda equipment. ø 4 mm pipe connection. ø 6 mm pipe connection. ø 8 mm pipe connection.

795736 Columbia Soda CO₂ Regulator ø 4 mm.

980506 Columbia CO₂ regulator (HG 20-30-45 with disposable bottle) ø 6 mm.

980490 Columbia Soda Home CO₂ Home ø 8 mm.

Columbia Soda Home CO₂ Columbia Soda Home



SPECIFICATIONS:

CO₂ regulator for refillable bottles for Columbia equipment. ø 6 mm pipe connection.

980024 Columbia CO₂ Regulator

Universal CO₂ regulator



SPECIFICATIONS:
 Universal CO₂ regulator for
 refillable bottles.
 Ø 8 mm pipe connection.

980549 CO₂ universal regulator

4-pipe python pipe



SPECIFICATIONS:
 4-pipe python pipe for
 nstallations with recirculation.

980120 4-pipe python coating 2+2

5-pipe python pipe



SPECIFICATIONS:
 5-pipe python pipe for
 installations with recirculation.

980121 5-pipe python coating 3+2

Atomizer extractor key



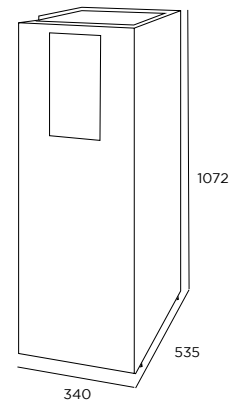
SPECIFICATIONS:
 Atomizer extractor key for
 HG and HF range equipment.

980436 Atomizer extractor key

Cabinet for installation HGL-45 / HFL-45 / HGCL-45



Cabinet for the installation of HGL-45 / HFL-45 / HGCL-45 desktop equipment. Made of oven-lacquered.

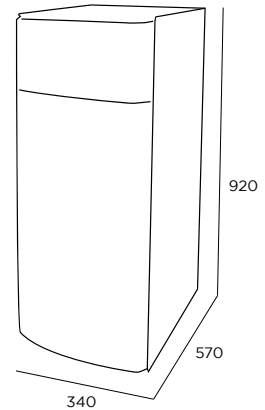


980350 Cabinet for HGL-45 / HFL-45 / HGCL-45 desktop equipment

Cabinet for installation HF/HG-45



Cabinet for the installation of HG-45 / HF-45 equipment. Made of oven-lacquered steel.



980139 Cabinet for HG-45 / HF-45 desktop equipment

PP 10" / 20" cartridges



SPECIFICATIONS:
Polypropylene cartridges of 5 µm.

209200 PP 10" 5 µm. cartridges.
209800 PP 20" 5 µm. cartridges.

10" / 20" GAC activate carbon cartridges



SPECIFICATIONS:
Cartridges for the removal of tastes and odors from water.

213600 Carbón activo GAC 10" cartridge
213700 Carbón activo GAC 20" cartridge

10" / 20" block activate carbon cartridge



SPECIFICATIONS:
Cartridges for the removal of tastes and odors from water.

214000 10" block activate carbon cartridge
214100 20" block active carbon cartridge

10" coiling PP cartridges / 20"



SPECIFICATIONS:
50 µm coiling polypropylene cartridges.

207500 9 3/4" 50µm coiling cartridge
208100 20" 50 µm coiling cartridge

Membrane



SPECIFICATIONS:
High-performance membrane for Commercial RO 500 equipment.
High-performance membrane for Commercial RO 700 equipment.
High-performance membrane for Commercial RO 2000G equipment.

292707 Membrane for RO Comercial 500
450702 Membrane for RO Comercial 700
450713 Membrane for RO Comercial 2000G

Replacement CO₂ cylinder



SPECIFICATIONS:

Single-use CO₂ cylinders,
replacement of 600 gr, 850 gr, and 1300 gr.

Approximate autonomy: 600 gr: 150 l
850 gr: 250 l
1300 gr: 340 l

795735	Replacement cylinder 600 CO ₂
795889	Replacement cylinder 850 CO ₂
795912	Replacement cylinder 1300 CO ₂

Everpure 4C Filter Replacement



SPECIFICATIONS:

Everpure 4C replacement cartridge.
Submicron cartridge that eliminates
tastes and odors.
Filtration capacity: 11,300 l.
Maximum flow rate: 1.9 lpm.

980046	Everpure 4C cartridge replacement
--------	-----------------------------------

Everpure MC-2 filter replacement



SPECIFICATIONS:

Everpure MC-2 replacement cartridge.
Submicron cartridge
that eliminates tastes and odors.
Filtration capacity: 34,000 l.
Maximum flow rate: 6 lpm.

980047	Replacement cartridge for Everpure MC-2.
--------	--

FB-82 bayonet cartridge



SPECIFICATIONS:
5 µm 18" filtration cartridge.

799571 FB-82 bayonet cartridge

FB-83 bayonet cartridge



SPECIFICATIONS:
5 µm 18" GAC activated carbon cartridge.

799572 FB-83 bayonet cartridge

FB-92 bayonet cartridge



SPECIFICATIONS:
Block 18" activated carbon 5 µm cartridge.

799573 FB-92 bayonet cartridge

180 GPD encapsulated membrane



SPECIFICATIONS:
180 GPD encapsulated membrane for CP-600.

292709 180 GPD encapsulated membrane

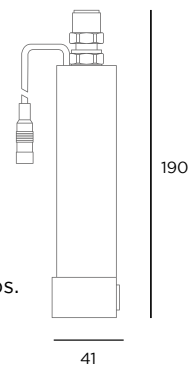
UV LED equipment



Ideal equipment for the elimination of germs and microorganisms from the water supplied by UV-C radiation.

SPECIFICATIONS:
Power: 6W
Flow rate with water filtered at 10 microns: 0.12 m3/h
Connection: 3/8"
Maximum pressure: 6 kg/cm2
Lamp failure indicator: led
Lamp life: 1,500 h
Material: 304 stainless steel

Functionality:
Built-in flow switch. It is activated at the passage of water and deactivated when the passage of water stops. It does not heat the water. Built-in LED status control.



820140

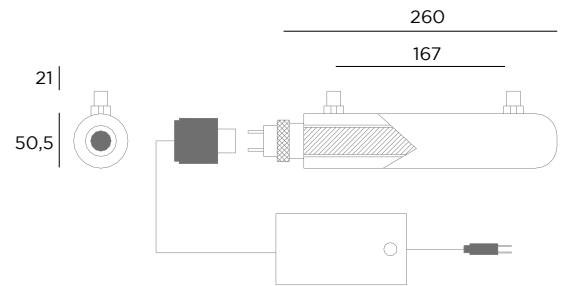
UV LED equipment

UV0240LH Lamp



Ultraviolet lamp inox 304.

Cabinet for HGL-45 / HFL-45 / HGCL-45 desktop equipment.
Made of oven-lacquered steel.



SPECIFICATIONS:

- Power: 16W
- Flow rate with water filtered at 10 microns: 0.12 m³/h
- Connection: 1/4"
- Maximum pressure: 6 kg/cm²
- Lamp failure indicator: led
- Lamp life: 5,000 h
- Material: 304 stainless steel

WARNING:

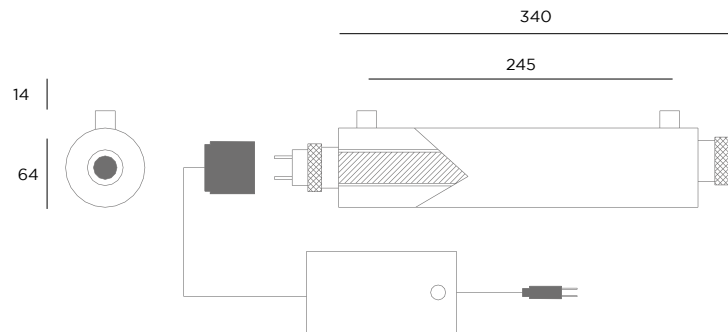
Power supply 220V/50Hz
For the proper functioning and germicidal capacity, UV equipment has to receive filtered water between 10 and 5 microns or osmotic water.

243600	Kinglight UV0240LH ultraviolet lamp
244600	UV lamp replacement
244603	Phillips Replacement
245100	Quartz pipe replacement
245602	Ballast replacement

UV0240LH lamp



Ultraviolet lamp inox 304.



SPECIFICATIONS:

- Power: 14W
- Flow rate with water filtered at 10 microns: 0.36 m³/h
- Connection: 1/4"
- Maximum pressure: 8 kg/cm²
- Lamp failure indicator: led
- Lamp life: 9,000 h
- Material: 304 Stainless Steel

WARNING:

Power supply 220V/50Hz
For the proper functioning and germicidal capacity, UV equipment has to receive filtered water between 10 and 5 microns or osmotic water.

244000	Kinglight UV0480LH ultraviolet lamp UV
244800	Lamp replacement
245200	Quartz pipe replacement
245700	Ballast replacement



Trays and washing racks



Tray for HG / HF 30



SPECIFICATIONS:
Tray for HG / HF 30.

980625 Tray for HG / HF 30

Tray for HG / HF 70



SPECIFICATIONS:
Tray for standard HG/HF 70.

980467 Tray for HG / HF 70

Tray for HG / HF 70with drain



SPECIFICATIONS:
Tray for HG / HF 70 with drain.

950529 Tray for HG / HF 70with drain

Tray for HGL 45



SPECIFICATIONS:
Tray for HGL 45 / HFL 45 / HGCL 45.

980507 Tray for HGL 45 / HFL 45 / HGCL 45

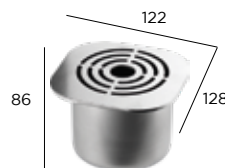
Tray for HF / HG 45



SPECIFICATIONS:
Tray for HF 45 / HG 45 TOP / E TOP.

980167 Tray for HF 45 / HG 45 TOP / E TOP.

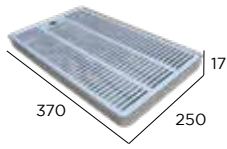
Stainless steel embeddable tray for Uve



SPECIFICATIONS:
Embedded tray with drain or UVE column or 1-way columns Compact design.

980351 Tray inox recessed desagüe Uve

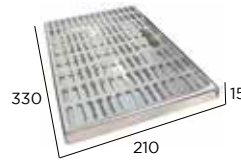
Universal stainless steel tray for embedding



SPECIFICATIONS:
 Embedded universal stainless steel tray with drain for electronic column and 2-3-way drilled columns.

980570 Universal stainless steel tray

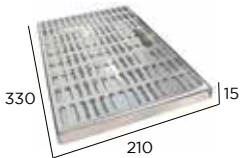
Universal stainless steel tray for desktop



SPECIFICATIONS:
 Universal stainless steel surface tray without drain or electronic column and 2-3-way drilled columns.

980492 Universal stainless steel tray

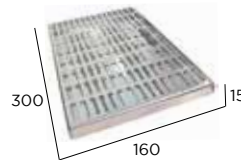
Stainless steel mechanical tower tray with stand



SPECIFICATIONS:
 Stainless steel tray for 2-3 way mechanical column with stand.

980491 Stainless steel mechanical tower tray

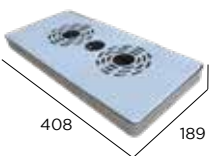
Stainless steel electronic tower tray with stand



SPECIFICATIONS:
 Stainless steel tray for 2-3 way electronic column with stand.

980123 Stainless steel mechanical tower tray

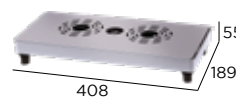
TOP Stainless steel tray



SPECIFICATIONS:
 Stainless steel tray for HG/HF 65, HG|HF 120 TOP | HG|HF 180 TOP equipment.

980025 Stainless steel tray for HG | HF 65 | 120 | 180 TOP

Tray inox TOP Built-in drain



SPECIFICATIONS:
 Stainless steel tray with integrated drain for HF|HG 65 TOP, HF|HG 120 TOP and HF |HG 180 TOP equipment.

980352 Raised stainless steel tray with integrated drain

Washing basket 50x50



Golden 70 cl., Vega, Mare 1l., Vertex, Midi, Brenva 50 cl., Minit 50 cl., Brooklyn, Lorena and Narvik.

SPECIFICATIONS:

High resistance plastic basket.
500x500x270x91 *.
Capacity: 25 bottles.

700076 Washing basket 50x50 of 25 bottles

Washing basket 40x40



Golden 50/70 cl., Madison, Mare 50 cl., Brooklyn, Vertex, Midi, Minit, Brenva 50cl and Vega.

SPECIFICATIONS:

High resistance plastic basket.
400x400x265x89 *.
Capacity: 16 bottles.

700092 Washing basket 40x40 of 16 bottles

Washing basket 50x50

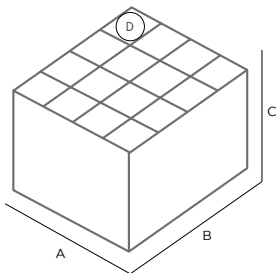


Golden 50 cl., Minit 35 cl., Madison 50 cl. and Madison 70 cl..

SPECIFICATIONS:

High resistance plastic basket .
500x500x290x75 *.
Capacity: 36 bottles.

700049 Washing basket 50x50 de 36 bottles



Dimension legend common to all baskets:
A x B x C x D in mm

Width: A
Depth: B
Height: C
Maximum diameter of the bottle: D

Washing basket 50x50

Söder and Brenva 75cl.



SPECIFICATIONS:

High resistance plastic basket.
500x500x270x100 *.
Capacity: 16 botellas.

700091 Washing basket 50x50 of 20 bottles

Washing basket 40x40

Mare 1l., Lorena, Narvik,
Söder and Brenva 75cl.



SPECIFICATIONS:

High resistance plastic basket.
400x400x265x115 *.
Capacity: 9 botellas.

700093 Washing basket 40x40 of 9 bottles

Washing basket 40x40

Universal.



SPECIFICATIONS:

Universal washing basket for any type of bottle that, due to its height, touches the upper part. The stands are inclined.

700163 Universal Washing basket 40x40

Centering device for 3 bottles



SPECIFICATIONS:

3-container centering device for quick accommodation in the dispensers. Compatible with 65 | 120 | 180 TOP models.

980043 3 bottle centering device

Centering device for 2 bottles



SPECIFICATIONS:

2-container centering device for quick accommodation in the dispensers. Special for electronic column and HF|HG 70 models.

980119 2 bottle centering device



Bottles



Brenva 50 cl.



Elegant bottle made of high quality and transparent glass.

Glass bottle for table service.

SPECIFICATIONS:

Capacity: 50 cl.

Weight: 575 gr.

Packing: 24 units.

Height: 224 mm.

Diameter: 89 mm.

Customized print layout display: 108€ · Net price.
(1 color ink printing to choose).

700113	Brenva 50 cl Bottle neutral. Box of 24 units
700117	Brenva 50 cl Bottle Columbia Aqua. Box of 24 units
700118	Brenva 50 cl Bottle for Columbia Aqua sparkling water. Box of 24 units
700145	Brenva 50 cl Bottle custom glazed

Brenva 75 cl.



Elegant bottle made of high quality and transparent glass.

Glass bottle for table service.

SPECIFICATIONS:

Capacity: 75 cl.

Weight: 750 gr.

Packing: 24 units.

Height: 260 mm.

Diameter: 101 mm.

Customized print layout display: 108€ · Net price.
(1 color ink printing to choose).

700055	Brenva 75 cl Bottle. Box of 24 units
700116	Brenva 75 cl Bottle. Columbia Aqua. Box of 24 units
800201	Brenva 75 cl Bottle. for Columbia Aqua sparkling water. Box of 24 units
700146	Brenva 75 cl Bottle. custom glazed

Golden 50 cl.



Modern bottle made of high quality and transparent glass. Ergonomic, with a wide mouth and easy to wash.

Glass bottle for table service. Blue or gray cap.

SPECIFICATIONS:

Capacity: 50 cl.

Weight: 500 gr.

Packing: 24 units.

Height: 249 mm.

Diameter: 72 mm.

Customized print layout display: 108€ · Net price.
(1 color ink printing to choose).

Includes THREADED CAP

710065	Golden 50 cl Bottle neutral. Gray tap. Box of 24 units
800227	Golden 50 cl Bottle Columbia Aqua. Gray tap. Box of 24 units
710067	Golden 50 cl Bottle neutral. Blue tap. Box of 24 units
800229	Golden 50 cl Bottle Columbia Aqua. Blue tap. Box of 24 units
710090	Blue stopperin a bag of 24 units
710089	Gray tap in a bag of 24 units
800136	Golden 50 cl Bottle custom glazed

Golden 70 cl.



Moderna botella fabricada en cristal de alta calidad y transparencia. Ergonómica, con boca ancha y de fácil lavado.

Glass bottle for table service. Blue or gray cap.

SPECIFICATIONS:

Capacity: 70 cl.

Weight: 600 gr.

Packing: 24 units.

Height: 276 mm.

Diameter: 79 mm.

Customized print layout display: 108€ · Net price.
(1 color ink printing to choose).

Includes THREADED CAP

710066	Golden 70 cl Bottle neutral. Gray tap. Box of 24 units
800228	Golden 70 cl Bottle Columbia Aqua. Gray tap. Box of 24 units
710068	Golden 70 cl Bottle neutral. Blue tap. Box of 24 units
800230	Golden 70 cl Bottle Columbia Aqua. Blue tap. Box of 24 units
710090	Blue cap in a bag of 24 units
710089	Gray tap in a bag of 24 units
800137	Golden 70 cl Bottle custom glazed

Narvik 1 l.



Elegant bottle made of high quality and transparent glass.

Glass bottle for table service.

SPECIFICATIONS:

Capacity: 1 l.

Weight: 380 gr.

Packing: 24 units.

Height: 295 mm.

Diameter: 91 mm.

Customized print layout display: 115€ · Net price.
(1 color ink printing to choose).

701085	Narvik 1 l. Bottle neutral. Box of 24 units
800225	Narvik 1 l. Bottle Columbia Aqua. Box of 24 units
800226	Narvik 1 l. Bottle for Columbia Aqua sparkling water. Box of 24 units
700151	Narvik 1 l. Bottle custom glazed

Lorena 1 l.



Elegant bottle made of high quality and transparent glass.

Glass bottle for table service.

SPECIFICATIONS:

Capacity: 1 l.

Weight: 530 gr.

Packing: 1 unit.

Height: 290 mm.

Diameter: 90 mm.

Customized print layout display: 108€ · Net price.
(1 color ink printing to choose).

701087	Lorena 1 l. Bottle neutral. Box of 24 units
800211	Lorena 1 l. Bottle Columbia Aqua. Box of 24 units
800212	Lorena 1 l. Bottle for Columbia Aqua sparkling water. Box of 24 units
700153	Lorena 1 l. Bottle custom glazed

Söder 85 cl.



Elegant bottle made of high quality and transparent glass.

Glass bottle for table service.

SPECIFICATIONS:

Capacity: 85 cl.

Weight: 406 gr.

Packing: 20 units.

Altura sin tapón: 260 mm.

Height: 290 mm.

Diameter: 95 mm.

Customized print layout display: 108€ · Net price.
(1 color ink printing to choose).

Includes stainless steel PRESSURE CAP

701075	Söder 85 cl. Bottle neutral. Caja de 20 units
701076	Söder 85 cl. Bottle Columbia Aqua. Caja de 20 units
701078	Söder 85 cl. Bottle for Columbia Aqua sparkling water. Box of 20 units
700154	Söder 85 cl. Bottle custom glazed

Vega 1 l.



Silicone
snap cap
available.

Elegant bottle made of high quality and transparent glass.

Glass bottle for table service.

SPECIFICATIONS:

Capacity: 1 l.

Weight: 600 gr.

Packing: 20 units.

Height: 263 mm.

Diameter: 89 mm.

Customized print layout display: 108€ · Net price.
(1 color ink printing to choose).

Includes THREADED CAP

701086	Vega 1l. Bottle neutral. Box of 24 units
800209	Vega 1l. Bottle Columbia Aqua. Box of 24 units
800210	Vega 1l. Bottle for Columbia Aqua sparkling water. Box of 24 units
700134	Black silicone cap in bag of 20 units
700150	Vega 1l. Bottle custom glazed

Madison 50 cl.



Elegant bottle made of high quality and transparent glass.

Glass bottle for table service.

SPECIFICATIONS:

Capacity: 50 cl.

Weight: 480 gr.

Packing: 24 units.

Height: 247 mm.

Diameter: 66 mm.

Customized print layout display: 108€ · Net price.
(1 color ink printing to choose).

Includes BLACK THREADED CAP

701033	Madison 50 cl. Bottleneutral. Box of 20 units
800231	Madison 50 cl. BottleColumbia Aqua. Box of 20 units
800232	Madison 50 cl. Bottlefor Columbia Aqua sparkling water. Box of 20 units
700102	Black cap in bag of 24 units
700147	Madison 50 cl. Bottlecustom glazed

Madison 70 cl.



Elegant bottle made of high quality and transparent glass.

Glass bottle for table service.

SPECIFICATIONS:

Capacity: 70 cl.

Weight: 620 gr.

Packing: 24 units.

Height: 272 mm.

Diameter: 73,5 mm.

Customized print layout display: 108€ · Net price.
(1 color ink printing to choose).

Includes BLACK THREADED CAP

700072	Madison 70 cl. Bottleneutral. Box of 20 units
800233	Madison 70 cl. BottleColumbia Aqua. Box of 20 units
800234	Madison 70 cl. Bottlefor Columbia Aqua sparkling water. Box of 20 units
700102	Black cap in bag of 24 units
700148	Madison 70 cl. Bottlecustom glazed

Brooklyn 75 cl.



Elegant bottle made of high quality and transparent glass.

Glass bottle for table service.

SPECIFICATIONS:

Capacity: 75 cl.

Weight: 650 gr.

Packing: 24 units.

Height: 278 mm.

Diameter: 79 mm.

Customized print layout display: 108€ · Net price.
(1 color ink printing to choose).

Includes THREADED CAP

800121	Brooklyn 75 cl. Bottleneutral. Tapón plata. Box of 24 units
800139	Brooklyn 75 cl. Bottleneutral. Blue tap. Box of 24 units
800214	Brooklyn 75 cl. BottleColumbia Aqua. Tapón plata. Box of 24 units
971796	Brooklyn 75 cl. BottleColumbia Aqua. Blue tap. Box of 24 units
700051	Gray aluminium cap in bag of 24 units
700052	Blue aluminium cap in bag of 24 units
700277	Brooklyn 75 cl. Bottlecustom glazed

Vertex 70 cl.



Elegant bottle made of high quality and transparent glass.

Glass bottle for table service.

SPECIFICATIONS:

Capacity: 70 cl.

Weight: 780 gr.

Packing: 24 units.

Height: 258 mm.

Diameter: 85mm.

Customized print layout display: 108€ · Net price.
(1 color ink printing to choose).

Includes THREADED CAP

700271	Vertex 70 cl. Bottle neutral. Tapón plata. Box of 24 units
800142	Vertex 70 cl. Bottle neutral. Blue tap. Box of 24 units
800218	Vertex 70 cl. Bottle Columbia Aqua. Tapón plata. Box of 24 units
800220	Vertex 70 cl. Bottle Columbia Aqua. Blue tap. Box of 24 units
700051	Gray aluminium cap in bag of 24 units
700052	Blue aluminium cap in bag of 24 units
700274	Vertex 70 cl. Bottle custom glazed

Minuit 35 cl.



Elegant bottle made of high quality and transparent glass.

Glass bottle for table service.

SPECIFICATIONS:

Capacity: 35 cl.

Weight: 400 gr.

Packing: 24 units.

Height: 177 mm.

Diameter: 73 mm.

Customized print layout display: 108€ · Net price.
(1 color ink printing to choose).

Includes THREADED CAP

710078	Minuit 35 cl. Bottle neutral. Box of 24 units
800221	Minuit 35 cl. Bottle Columbia Aqua. Tapón plata. Box of 24 units
701064	Blue aluminium cap in bag of 24 units
800195	Minuit 35 cl. Bottle custom glazed

Minuit 50 cl.



Elegant bottle made of high quality and transparent glass.

Glass bottle for table service.

SPECIFICATIONS:

Capacity: 50 cl.

Weight: 575 gr.

Packing: 24 units.

Height: 194 mm.

Diameter: 81 mm.

Customized print layout display: 108€ · Net price.
(1 color ink printing to choose).

Includes THREADED CAP

701063	Minuit 50 cl. Bottle neutral. Box of 24 units
800223	Minuit 50 cl. Bottle Columbia Aqua. Tapón plata. Box of 24 units
701064	Blue aluminium cap in bag of 24 units
800146	Minuit 50 cl. Bottle custom glazed

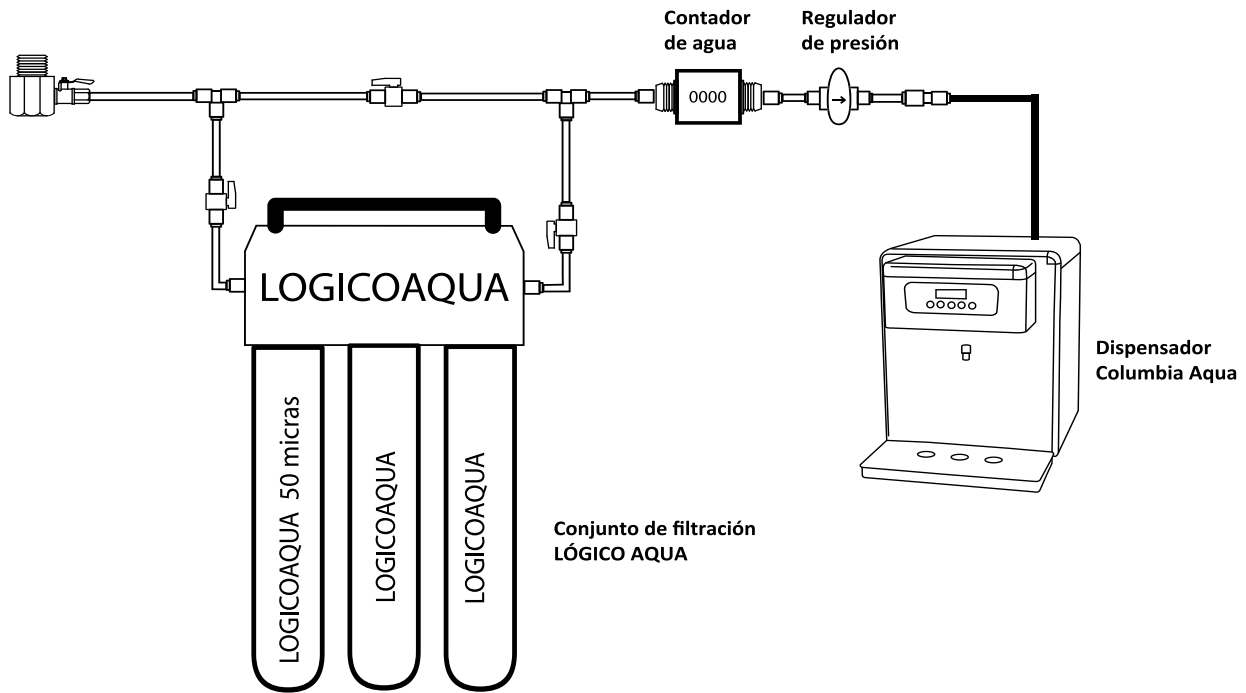




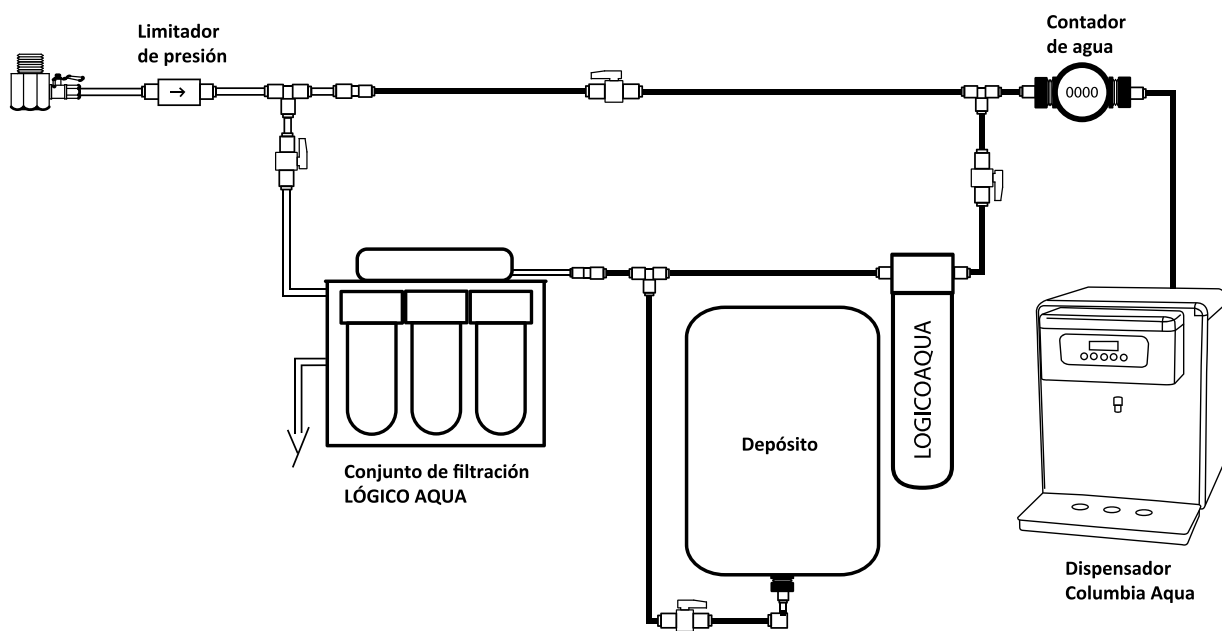
Installation advice

Installation advice

Ejemplo de instalación en equipo con sistema de filtration



Ejemplo de instalación en equipo con sistema de ósmosis



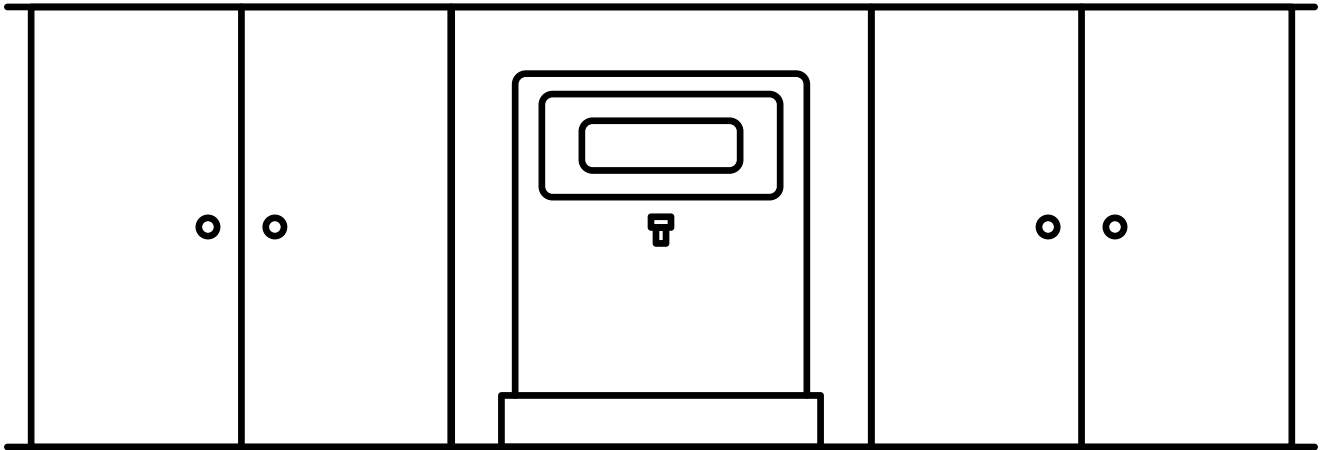
Installation advice

Esquema de instalación de equipos TOP

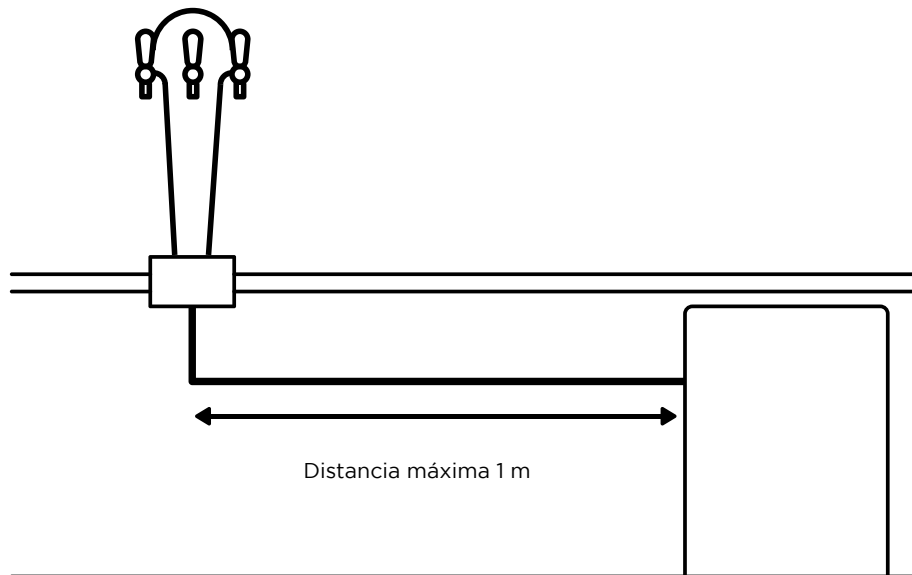


NO INSTALAR

Evite colocar los equipos TOP dentro de armarios o empotrados.
Los equipos deben tener una buena ventilación.

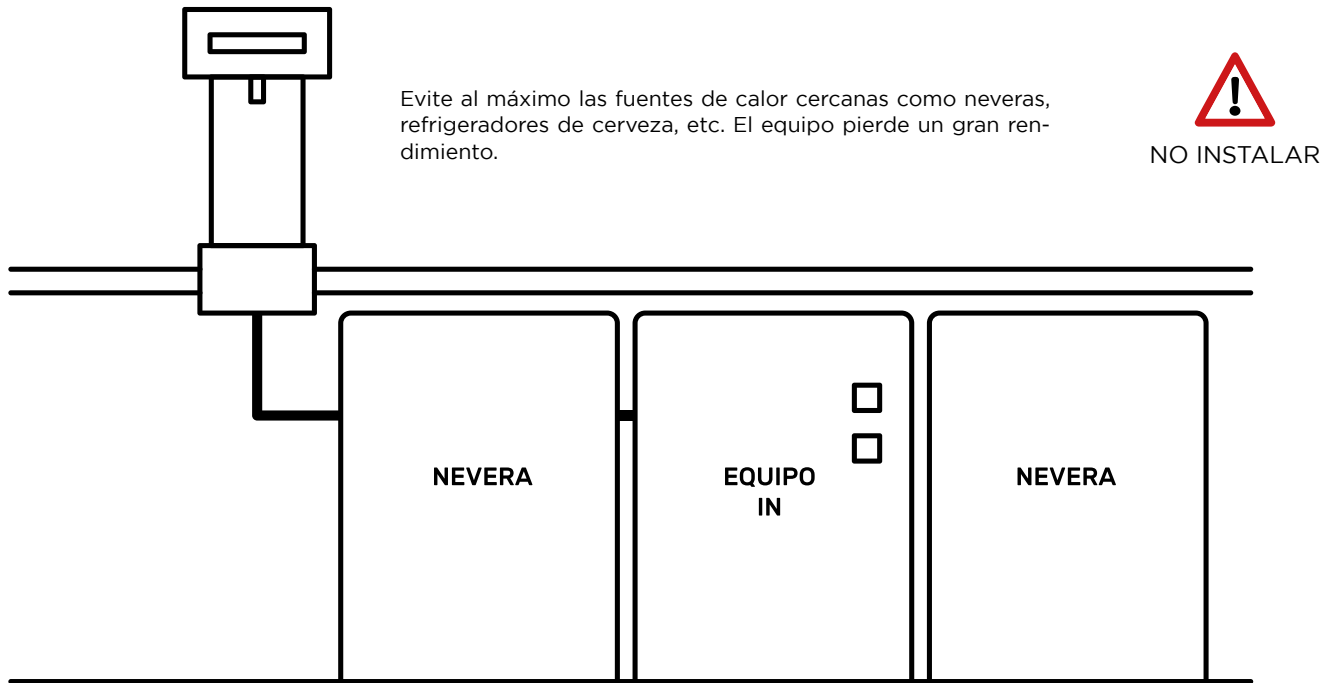


Esquema de instalación de IN equipments

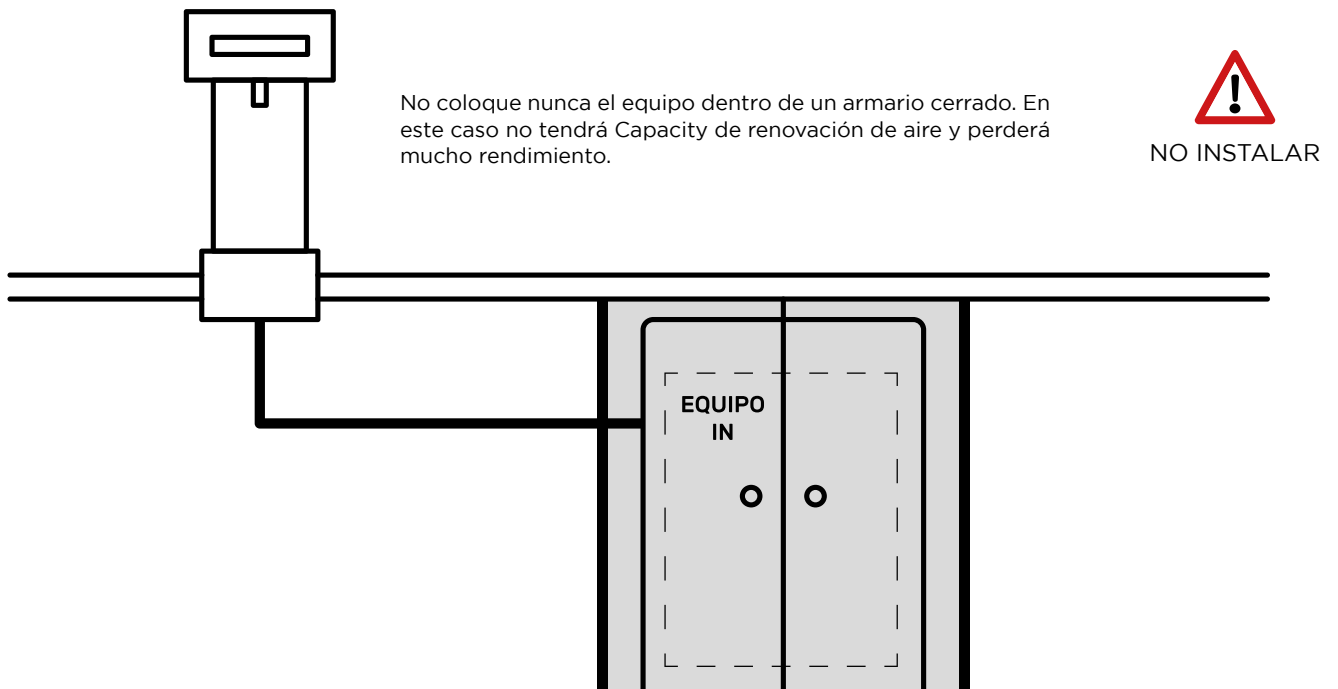


Installation advice

Esquema de instalación de IN equipments



Esquema de instalación de IN equipments



CERTIFIED

UNE 149101

EQUIPMENT



WLG (B-60326279), es miembro de la Water Quality Association.



ACREDITADO POR ENAC
Certif. nº 34/5200/14/0712

La comercialización de equipos de tratamiento de aguas y electrodomésticos, así como el diseño e impartición de formación no reglada relacionada con la tecnología de los equipos comercializados, están certificados y son conformes a la norma UNE-ISO-9001 para WLG (B-60326279).



WLG (B-60326279) es socio de Aqua España, perteneciendo esta asociación a Aqua Europa (Federación de asociaciones nacionales europeas).



WLG (B-60326279), posee la concesión de la autorización de Operador Económico Autorizado (OEA), con el número ESAEOF18000008U6 y fecha de entrada en vigor de la autorización 13/02/2018.

Notes

Notes

Notes

Notes

columbia.
aqua



C. Aiguafreda, 8
Pol. Ind. L'Ametlla Park
08480 L'Ametlla de Vallès
Barcelona. Spain

T +34 936 934 300 / +34 902 305 310
F +34 936 934 330

C. Alemanya esquina C. Finlandia
Parcela nº 3
Pol. Ind. Pla de Llerona
08520 Les Franqueses
Barcelona. Spain

T +34 93 844 44 77 / +34 902 557 269
F +34 936 934 330

+34 936 934 309
sat@ionfilter.com