

180 S Series

Cold, room and sparkling water.

Equipment for restaurants and restaurants.

Floor dispenser. Electronical, Stainless steel.

180 lph
Cold water production



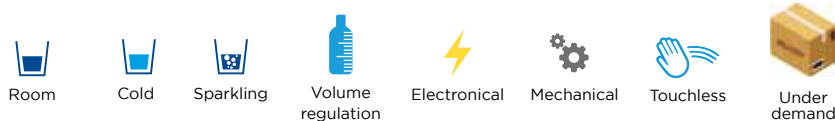
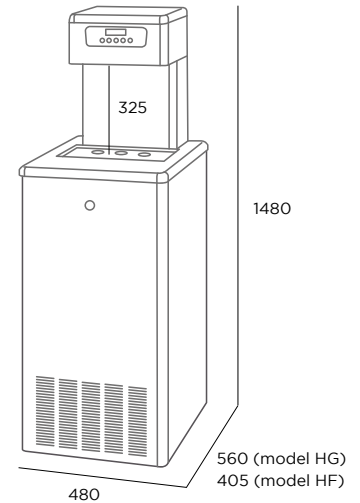
SPECIFICATIONS:

- Production: 180 l/h.
- Continuous production: 100 l.
- Temperature: 3 - 10 °C.
- Ice bank capacity: 11,5 Kg.
- Cooling sparkling: R290.
- Compressor power: 1/3 CV.
- Water outputs HG: 3 (1 cold, 1 room, 1 sparkling).
- Water outputs HF: 3 (1 cold, 1 room, 1 cold).
- Water inlet connection: 8 mm.
- *Sparkling inlet connection: 8 mm.
- Materials: Inox stee.
- Weight: 52-60 Kg (according to model).

*Only models HG

Accessories:

- Adaptor H3/4" - Stem 8 mm.
- Elbow 8 mm.
- Adaptor M3/8" - 8 mm.
- 2 m tube 8 mm.
- *Pressure reducer CO₂.



	Room	Cold	Sparkling	Volume regulation	Electronical	Mechanical	Touchless	Under demand
980062 HG 180 ES	•	•	•	•	•			
980682 HG 180 ES TOUCHLESS	•	•	•	•	•		•	
980064 HF 180 ES	•	•		•	•			•
980065 HF 180 S	•	•				•		•
980683 HF 180 ES TOUCHLESS	•	•		•	•		•	•
980684 HF 180 S TOUCHLESS	•	•					•	•

980043 Centering device for 3 bottles