

45 TOP Series

Cold, room, Hot and sparkling water.

Equipment suitable for offices, pubs, cafés and small restaurants.

Table-top Dispenser.
Electronical, ABS-Steel.

45 lph
Cold water production



Cabinet optional



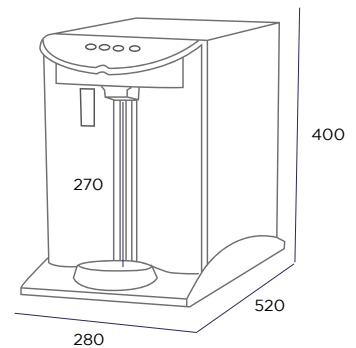
SPECIFICATIONS:

- Production: 45 l/h.
- Continuous cold water production: 9 l.
- **Hot water production: 8 l.
- Temperature agua cold: 3 - 10 °C.
- **Hot water temperature: 95 °C.
- Ice bank capacity: 2 Kg.
- Cooling sparkling: R290.
- Compressor power: 1/10 CV.
- Water inlet connection: 8 mm.
- *Sparkling inlet connection: 6 mm.
- Materials: Steel and ABS.
- Weight: 21-27 Kg (according to model).

*Only models HG
**Only modelsHFC
(Cabinet page 107)

Accessories:

- Adaptor H3/4" - Stem 8 mm.
- Elbow 8 mm.
- Adaptor M3/8" - 8 mm.
- 1 m tube 8 mm.
- *1 m tube 6 mm.
- *Pressure reducer CO₂.



Room



Cold



Sparkling



Hot



Volume regulation



Electronical



Mechanical

Model	Room	Cold	Sparkling	Hot	Volume regulation	Electronical	Mechanical
980006 HG 45 E TOP	•	•	•		•	•	
980004 HG 45 TOP	•	•	•				•
980009 HF 45 E TOP	•	•			•	•	
980008 HF 45 TOP	•	•					•
980295 HFC 45 TOP	•	•		•			•