

→ Table-top dispenser. Equipment suitable for domestic use, offices, and cafés.

Columbia Soda Upper

(Ref. 980846)

TECHNICAL SPECIFICATIONS

WEIGHT	23 kg
TEMPERATURE	3 - 10 °C
WATER INLET CONNECTION	1/4"
CO ₂ INLET CONNECTION	5/16" (8mm)
COOLING POWER	130W
COLD WATER PRODUCTION	8 l / h
COOLING SPARKLING WATER	10 l / h
COOLING GAS	R600a (110 g)
TANK CAPACITY	2,4 L
POWER SUPPLY	220-240V / 50Hz

(No Includes regulador de CO₂).

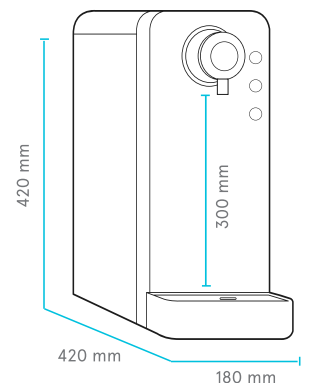
ACCESSORIES

1 m tube 5/16" (8 mm.)
1 m tube 1/4".
Ball valve 1/4".
Ball valve 5/16" (8 mm.)

ORIGINAL CONSUMABLES

CO₂ Regulator for Simple-use cylinder (Ref. 980506)

-  COLD WATER PRODUCTION
-  WATER PRODUCTION AT ROOM TEMPERATURE
-  SPARKLING WATER PRODUCTION
-  TACTILE PUSH BUTTONS
-  TEMPERATURE INFORMATION SYSTEM
-  QUICK CONNECTORS AND MAXIMUM SAFETY
-  SAFETY VALVE
-  FORCED VENTILATION SYSTEM
-  TOP COUNTER UNIT
-  CARBONATOR PUMP



WLG (B-60326279), is member of the Water Quality Association.



ACCREDITED BY ENAC
Certif. nº 34/5200/14/0712

The trading of water treatment and household appliances as well as designing and teaching of non-official training courses related with its technology are certified and comply with the UNE-ISO-9001 far WLG (B-60326279).



WLG (B-60326279) is an Aqua España member, who belongs Aqua Europa (Federation of European nation associations).



WLG (B-60326279), has the rights granted for Authorized Economic Operator with number ESAEOF18000008U6 and 13/02/2018 as a date of entry of the authorization.