

# Water dispenser tower mechanical Borne

Mechanical Water dispenser tower.  
2 or 3 types of water.

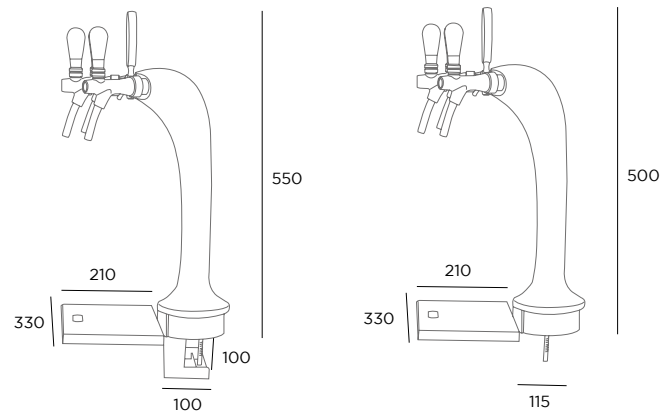


## SPECIFICATIONS:

Columna fabricada en latón cromado con 2/3 grifos for fijar con un agujero pasador en la encimera o en la barra.  
Includes Tray.

Dos versiones según sistema de fijación:

- For taladrar en encimera, fijación mediante tube roscado.
- Con soporte for fijar a la barra, con pinza tipo sargento.



Ø drill  
2 ways: 35 mm.  
3 ways: 50 mm.

		Fijación taladro	Fijación pinza
980425	Borne column 3 taps to drill in bar with tray	•	
980685	Borne column 3 taps to drill in bar with tray recessed	•	
980426	Borne column 2 taps to drill in bar with tray	•	
980686	Borne column 2 taps to drill in bar with tray recessed	•	
980423	Borne column 3 taps with clamp and with tray		•
980424	Borne column 2 taps with clamp and with tray		•