

# Water dispenser tower Arendal

Electronic water water dispensing tower. 3 types of water. For drilling.



Electronical

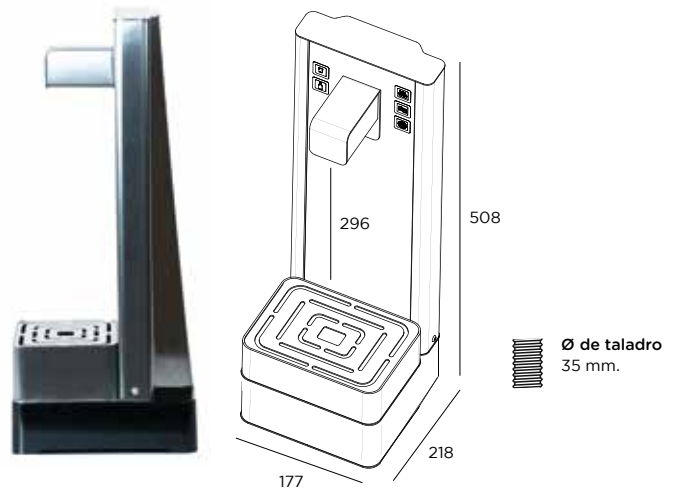


Volume regulation



## SPECIFICATIONS:

Electronical column made of stainless steel.  
Elegant and modern design. One outlet and three types of water.  
Configurable dispensing volume.  
Water and dose selection with touch-sensitive buttons.  
Tray included.



Room



Cold



Sparkling



# Water dispenser tower Arendal

Electronic water water dispensing tower. 3 types of water. With clamp for to be fixed to the bar.



Electronical

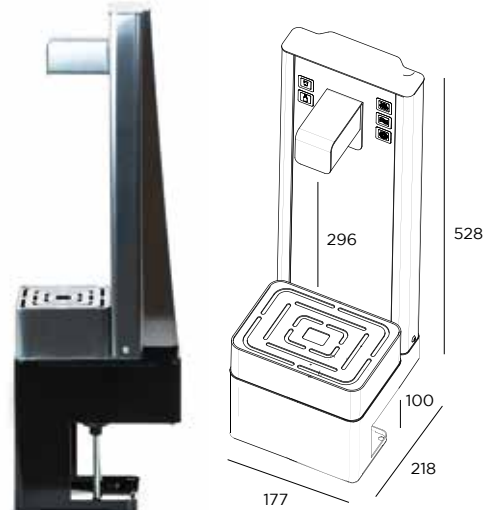


Volume regulation



## SPECIFICATIONS:

Electronical column made of stainless steel. Elegant and modern design. One outlet and three types of water. Configurable dispensing volume. Water and dose selection with touch-sensitive buttons. Tray included.



Room



Cold



Sparkling